



Instructions

AK-XM 102B



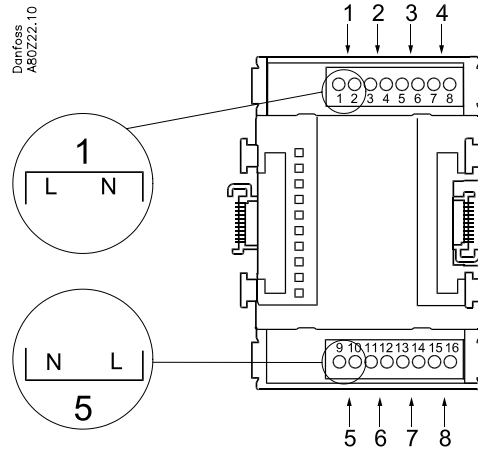
080R9214



R18HH502

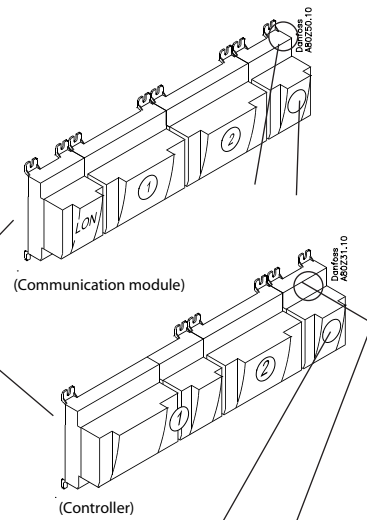
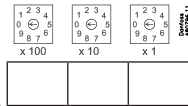
| | |
|---|---|
| <p>080Z0013</p> | |
| <p>AK-XM 102B</p> | |
| <p>CE $-20^{\circ} < t_{amb} < 55^{\circ}C$ $-0^{\circ}F < t_{amb} < 130^{\circ}F$ 0 - 95% RH, non condensing IP10 / VBG4 UL: E166834</p> | <p>Warning</p> <p>Ensure power is disconnected before adding or removing Modules</p> |
| <p>DI x 8</p> <p>230V / 115V</p> <p>On/Off: On: DI > 80 V a.c. Off: DI < 24 V a.c.</p> | |

Point



| | Signal | Active at |
|---------------|-----------------|-------------------------------|
| DI | Ext.Main Switch | Closed (voltage on) |
| | Day/ Night | / |
| | Comp. Safety 1 | Open (voltage off) |
| | Comp. Safety 2 | |

Address



| Signal | Active at | Module | Point | Terminals |
|--------|-----------|--------|----------|-----------|
| | | | 1 (DI 1) | 1 - 2 |
| | | | 2 (DI 2) | 3 - 4 |
| | | | 3 (DI 3) | 5 - 6 |
| | | | 4 (DI 4) | 7 - 8 |
| | | | 5 (DI 5) | 9 - 10 |
| | | | 6 (DI 6) | 11 - 12 |
| | | | 7 (DI 7) | 13 - 14 |
| | | | 8 (DI 8) | 15 - 16 |

The Product contains electrical components And may not be disposed together with domestic waste. Equipment must be separate collected with Electrical and Electronic waste. According to Local and currently valid legislation.