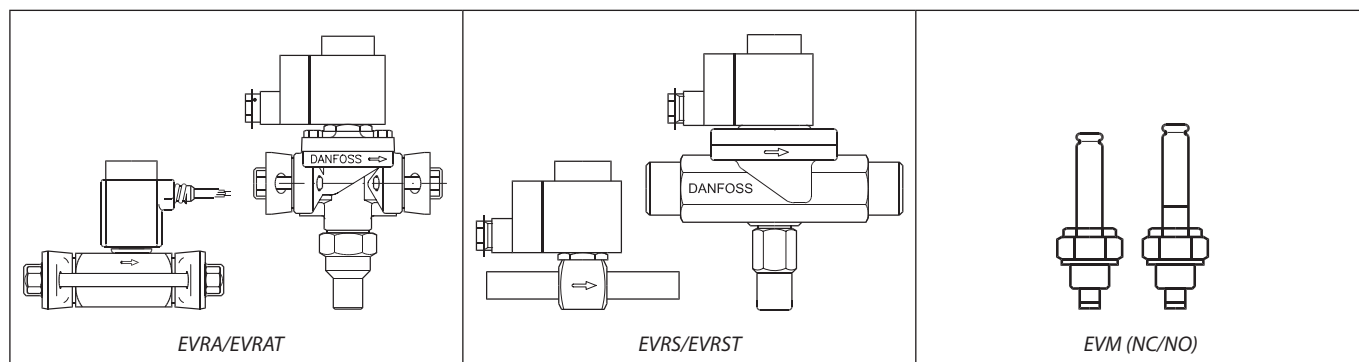


## Spare part kits

### Solenoid valves - EVRA, EVRAT, EVRS, EVRST, EVM (NC/NO)



## Inspection kits

Contains all gaskets, O-rings and aluminium rings belonging to 1 valve.  
For detailed content, see specific pages below.

Valve type	Inspection kit code number	See page
<b>EVRA</b>		
<b>Size</b>		
3	*	
10	*	
15	*	
20	*	
25	<b>032F2326</b>	<a href="#">2</a>
32/40	<b>032F2327**</b>	<a href="#">3</a>

\* No inspection kit available. Please order the repair kit.  
\*\* Also applicable for AKVA 20

## Repair kits

Contains all gaskets, O-rings and aluminium rings belonging to 1 valve, armature, diaphragm, piston and piston ring.  
For detailed content, see specific pages below.

Valve type	Repair kit code number	See page
<b>EVRA / EVRS</b>		
<b>Size</b>		
3	<b>032F2329</b>	<a href="#">4</a>
10	<b>032F2330</b>	<a href="#">5</a>
15	<b>032F2331</b>	<a href="#">6</a>
20	<b>032F2332</b>	<a href="#">7</a>
25	<b>032F2333</b>	<a href="#">8</a>
32	<b>032F2334</b>	<a href="#">9</a>
40	<b>032F2335</b>	<a href="#">10</a>

Valve type	Repair kit code number	See page
<b>EVRAT / EVRST</b>		
<b>Size</b>		
10	<b>032F2343</b>	<a href="#">11</a>
15	<b>032F2344</b>	<a href="#">12</a>
20	<b>032F2345</b>	<a href="#">13</a>

Valve type	Repair kit code number	See page
<b>EVM</b>		
EVM NC	<b>032F2324</b>	<a href="#">14</a>
EVM NO	<b>032F2325</b>	<a href="#">15</a>

## Overhaul kits

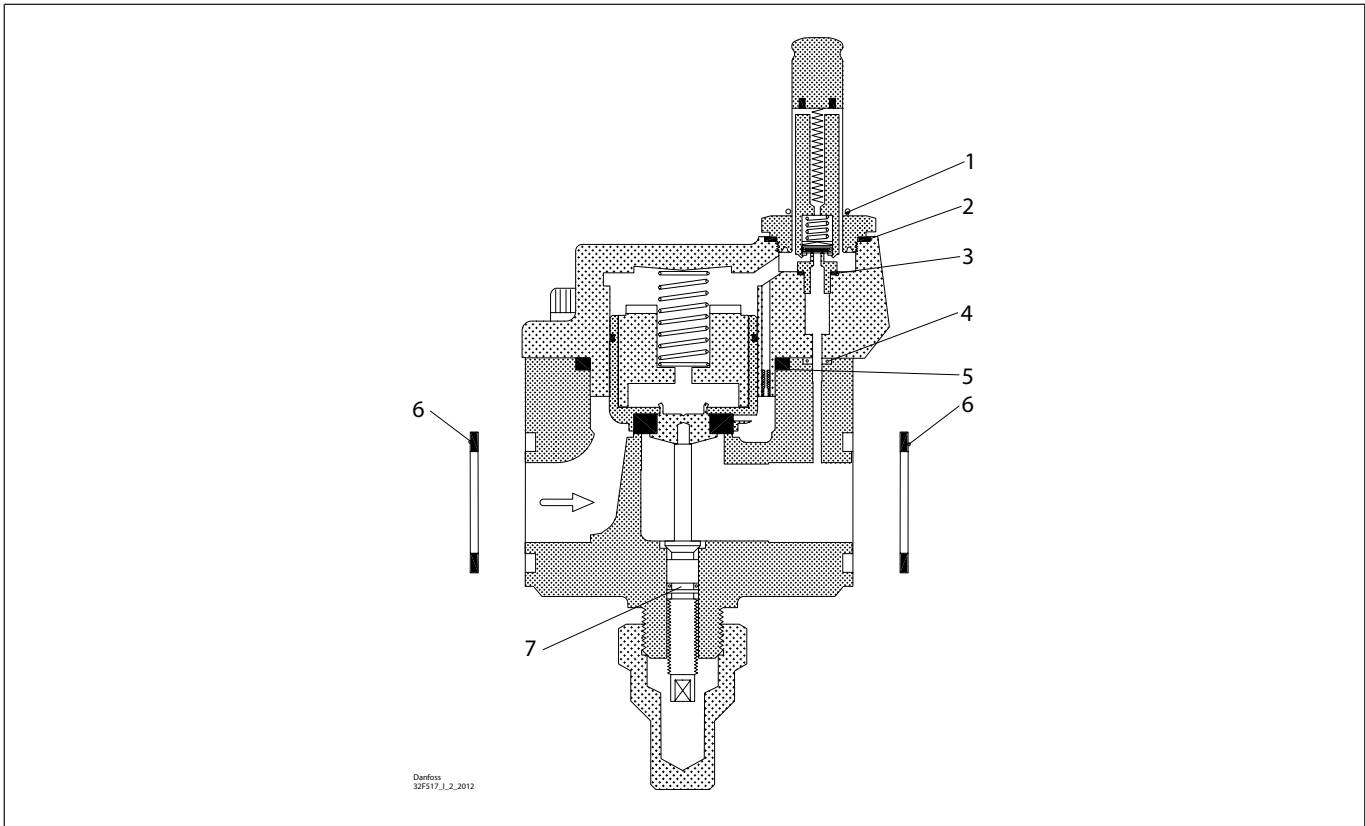
Contains all gaskets, O-rings and aluminium rings belonging to 1 valve size and parts what could be damaged or worn out.  
For detailed content, see specific pages below.

Valve Size	EVRA (previous design)	See page	EVRAT (previous design)	See page	EVRA/EVRS	See page	EVRAT/EVRST	See page	EVM	See page
	Overhaul kit code number									
3	**				<b>032F2336</b>	<a href="#">23</a>			**	
10	<b>032F2202</b>	<a href="#">16</a>	<b>032F2321</b>	<a href="#">20</a>	<b>032F2337</b>	<a href="#">24</a>	<b>032F2346</b>	<a href="#">30</a>		
15	<b>032F2209</b>	<a href="#">17</a>	<b>032F2322</b>	<a href="#">21</a>	<b>032F2338</b>	<a href="#">25</a>	<b>032F2347</b>	<a href="#">31</a>		
20	<b>032F2210</b>	<a href="#">18</a>	<b>032F2323</b>	<a href="#">22</a>	<b>032F2339</b>	<a href="#">26</a>	<b>032F2348</b>	<a href="#">32</a>		
25	<b>032F2218</b>	<a href="#">19</a>			<b>032F2340</b>	<a href="#">27</a>				
32					<b>032F2341</b>	<a href="#">28</a>				
40					<b>032F2342</b>	<a href="#">29</a>				

\*\* Please order a new valve.

# EVRA, size 25

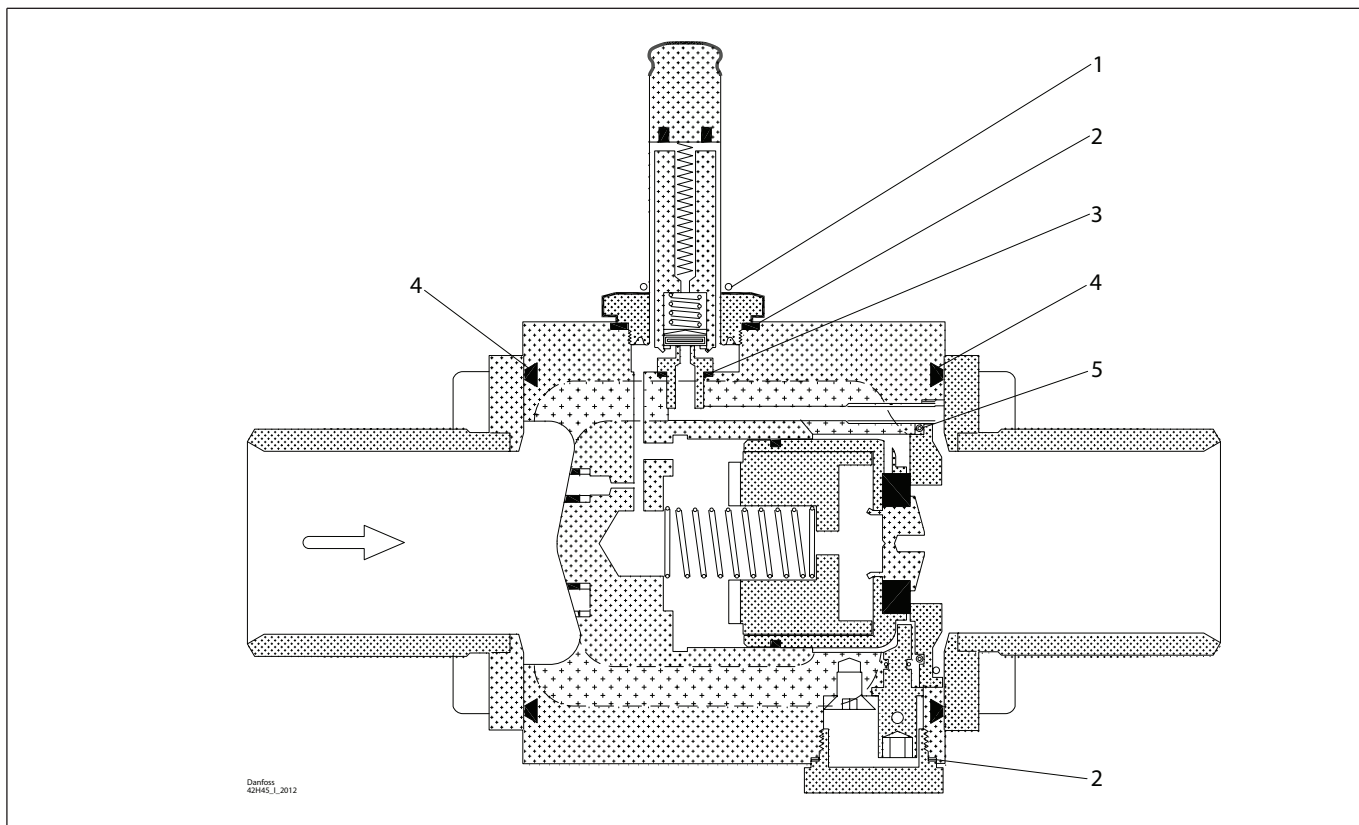
Inspection kit | Code number 032F2326



<p><b>1</b></p> <p>Total no. = 1</p>	<p><b>2</b></p> <p>Alu.</p> <p>Total no. = 1</p>	<p><b>3</b></p> <p>Alu.</p> <p>Total no. = 1</p>	<p><b>4</b></p> <p>Total no. = 1</p>	<p><b>5</b></p> <p>Rubber</p> <p>Total no. = 1</p>	<p><b>6</b></p> <p>Fibre</p> <p>Total no. = 2</p>
<p><b>7</b></p> <p>Total no. = 1</p>					

# AKVA, size 20 and EVRA, size 32/40

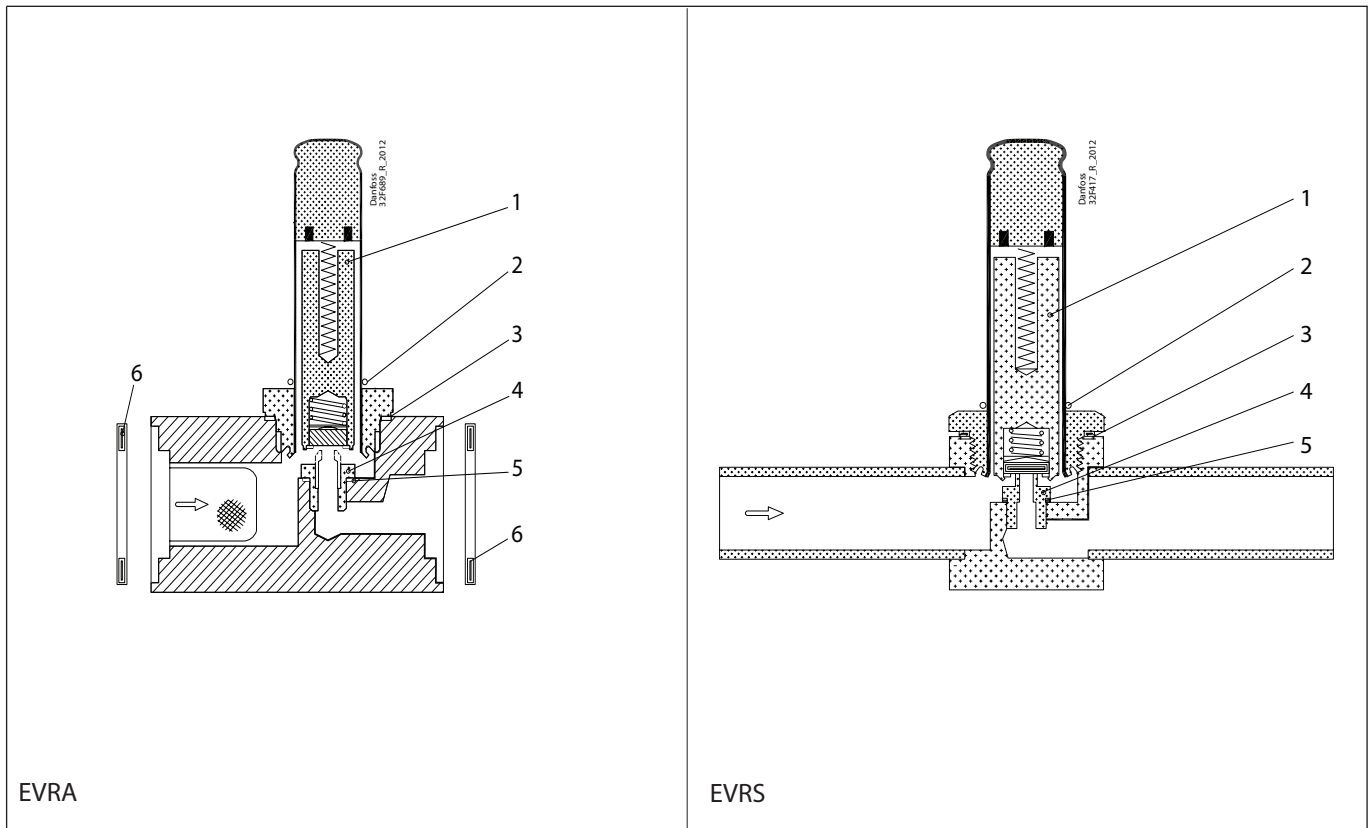
Inspection kit | Code number 032F2327



<p><b>1</b></p> <p>Ø14 mm Ø0.56"</p> <p>Total no. = 1</p>	<p><b>2</b></p> <p>Alu.</p> <p>Ø27 mm Ø1.04"</p> <p>Total no. = 2</p>	<p><b>3</b></p> <p>Alu.</p> <p>Ø10 mm Ø0.40"</p> <p>Total no. = 1</p>	<p><b>4</b></p> <p>Ø66 mm Ø2.60"</p> <p>Total no. = 2</p>	<p><b>5</b></p> <p>Ø42 mm Ø1.66"</p> <p>Total no. = 1</p>
---	---	---	---	---

# EVRA and EVRS, size 3

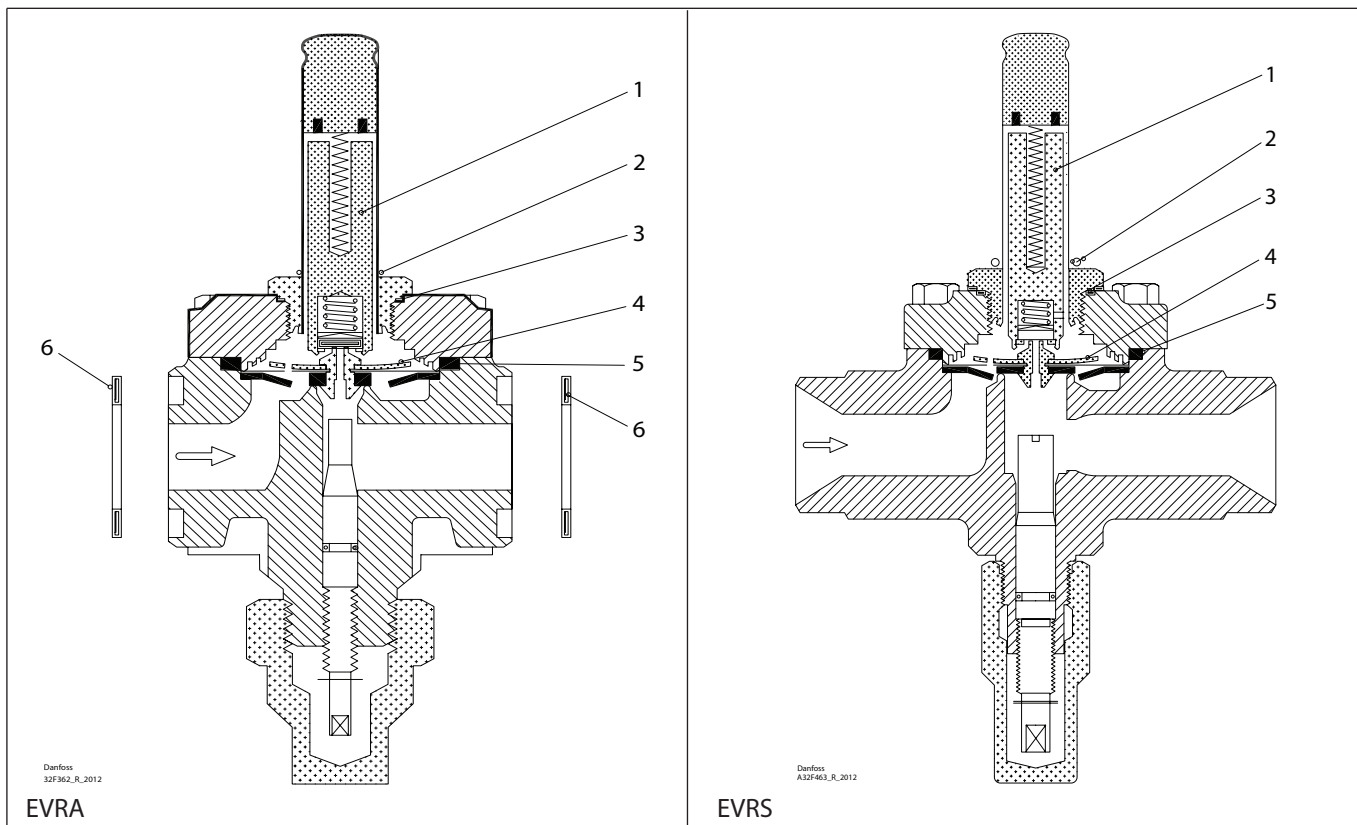
Repair kit | Code number 032F2329



<p><b>1</b> For AC / DC</p> <p>Total no. = 1</p>	<p><b>2</b></p> <p>Total no. = 1</p>	<p><b>3</b> = Alu.</p> <p>Total no. = 1</p>	<p><b>4</b></p> <p>Total no. = 1</p>	<p><b>5</b> = Alu.</p> <p>Total no. = 1</p>	<p><b>6</b> = Fibre</p> <p>Total no. = 2</p>
--	--------------------------------------	---	--------------------------------------	---	--

# EVRA and EVRS, size 10

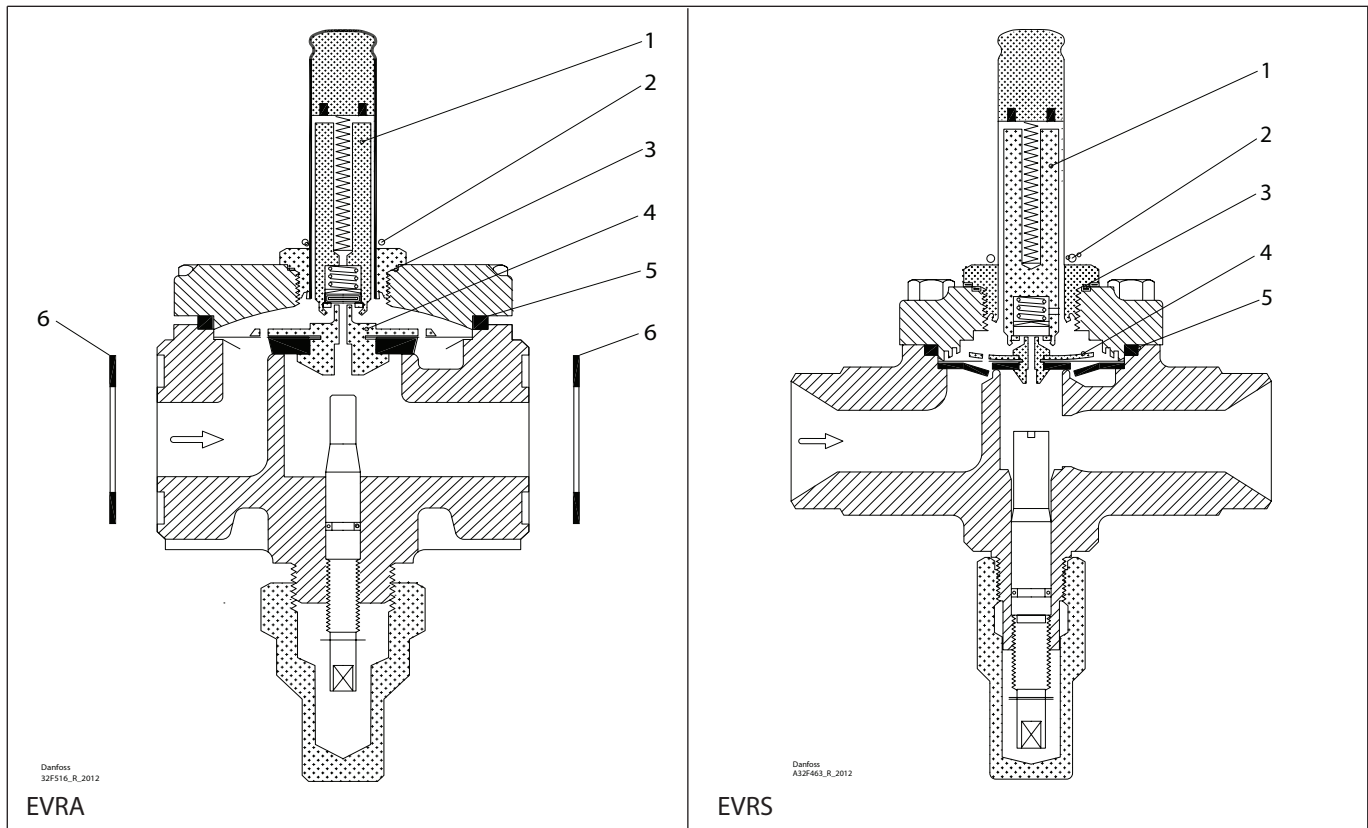
Repair kit | Code number 032F2330



<p><b>1</b> For AC / DC</p> <p>44 mm 1.71"</p> <p>Total no. = 1</p>	<p><b>2</b></p> <p>Ø14 mm Ø0.56"</p> <p>Total no. = 1</p>	<p><b>3</b></p> <p>— = Alu.</p> <p>Ø27 mm Ø1.04"</p> <p>Total no. = 1</p>	<p><b>4</b></p> <p>Ø31 mm Ø1.22"</p> <p>Total no. = 1</p>	<p><b>5</b></p> <p>▨ = Rubber</p> <p>Ø49 mm Ø1.92"</p> <p>Total no. = 1</p>	<p><b>6</b></p> <p>— = Fibre</p> <p>Ø32 mm Ø1.26"</p> <p>Total no. = 2</p>
---	---	---	---	---	--

# EVRA and EVRS, size 15

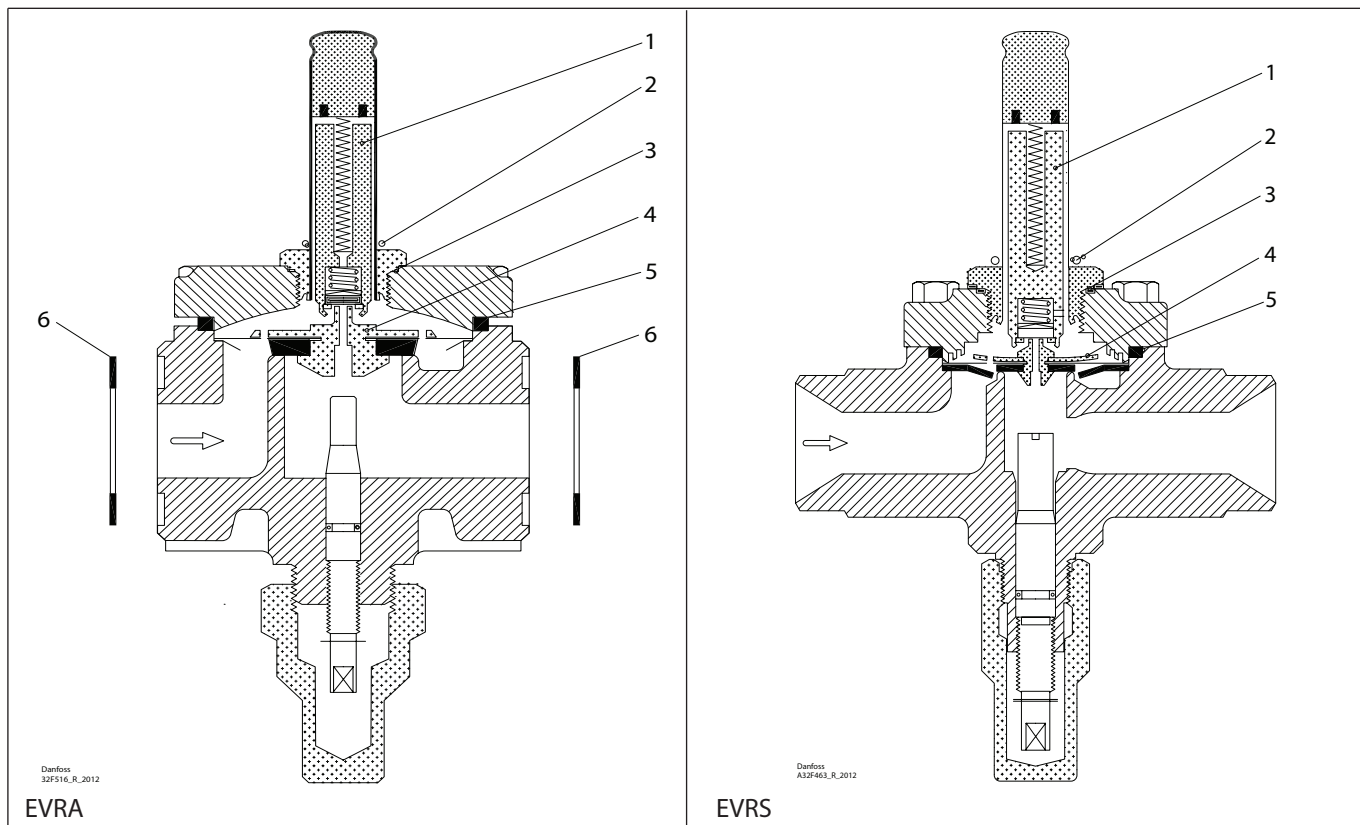
Repair kit | Code number 032F2331



<p><b>1</b> For AC / DC</p> <p>Total no. = 1</p>	<p><b>2</b></p> <p>Total no. = 1</p>	<p><b>3</b> = Alu.</p> <p>Total no. = 1</p>	<p><b>4</b></p> <p>Total no. = 1</p>	<p><b>5</b> = Rubber</p> <p>Total no. = 1</p>	<p><b>6</b> = Fibre</p> <p>Total no. = 2</p>
--	--------------------------------------	---	--------------------------------------	---	--

# EVRA and EVRS, size 20

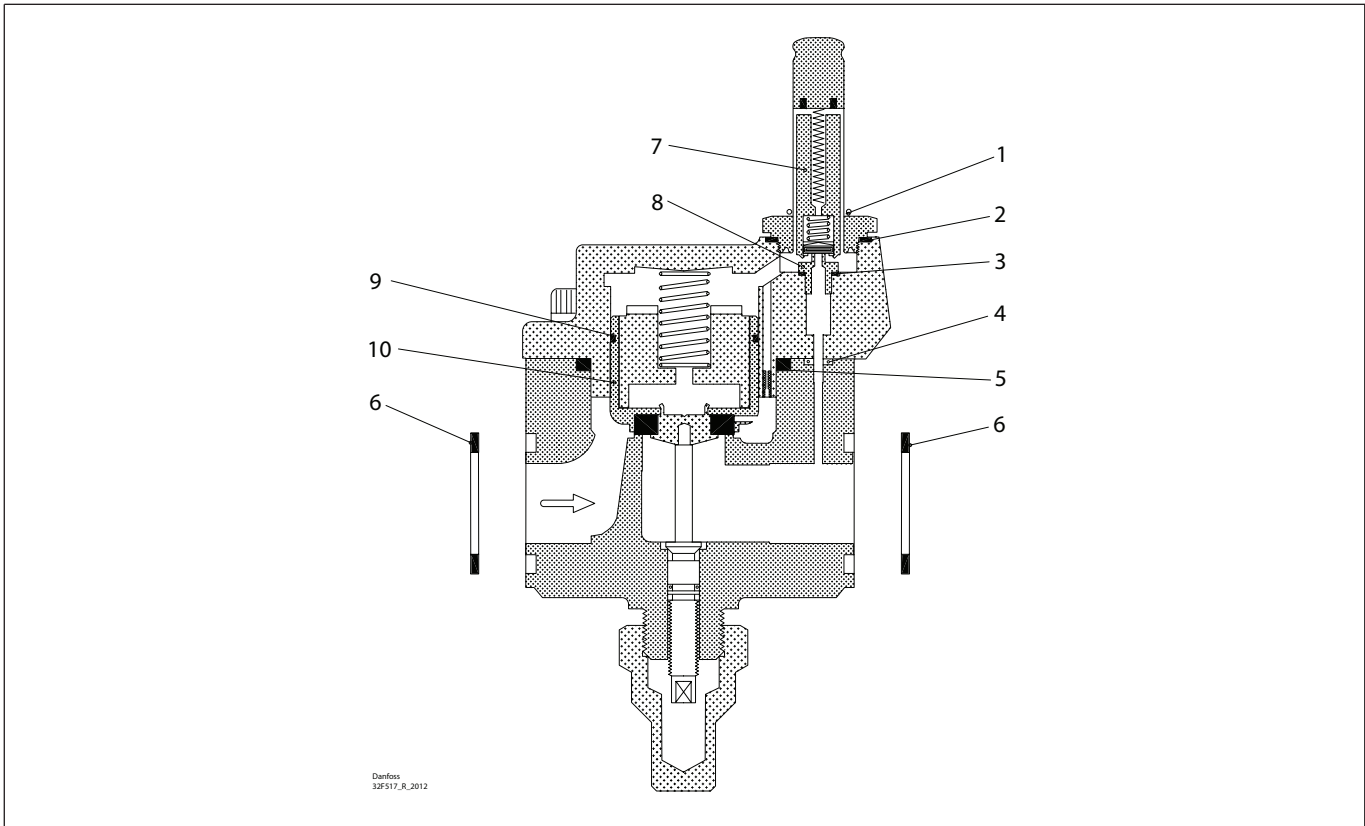
Repair kit | Code number 032F2332



<p><b>1</b> For AC / DC</p> <p>44 mm 1.71"</p> <p>Total no. = 1</p>	<p><b>2</b></p> <p>Ø14 mm Ø0.56"</p> <p>Total no. = 1</p>	<p><b>3</b> — = Alu.</p> <p>Ø27 mm Ø1.04"</p> <p>Total no. = 1</p>	<p><b>4</b></p> <p>Ø38 mm Ø1.5"</p> <p>Total no. = 1</p>	<p><b>5</b> = Rubber</p> <p>Ø64 mm Ø2.52"</p> <p>Total no. = 1</p>	<p><b>6</b> = Fibre</p> <p>Ø39 mm Ø1.54"</p> <p>Total no. = 2</p>
---	---	--	--	--	---

# EVRA, size 25

Repair kit | Code number 032F2333

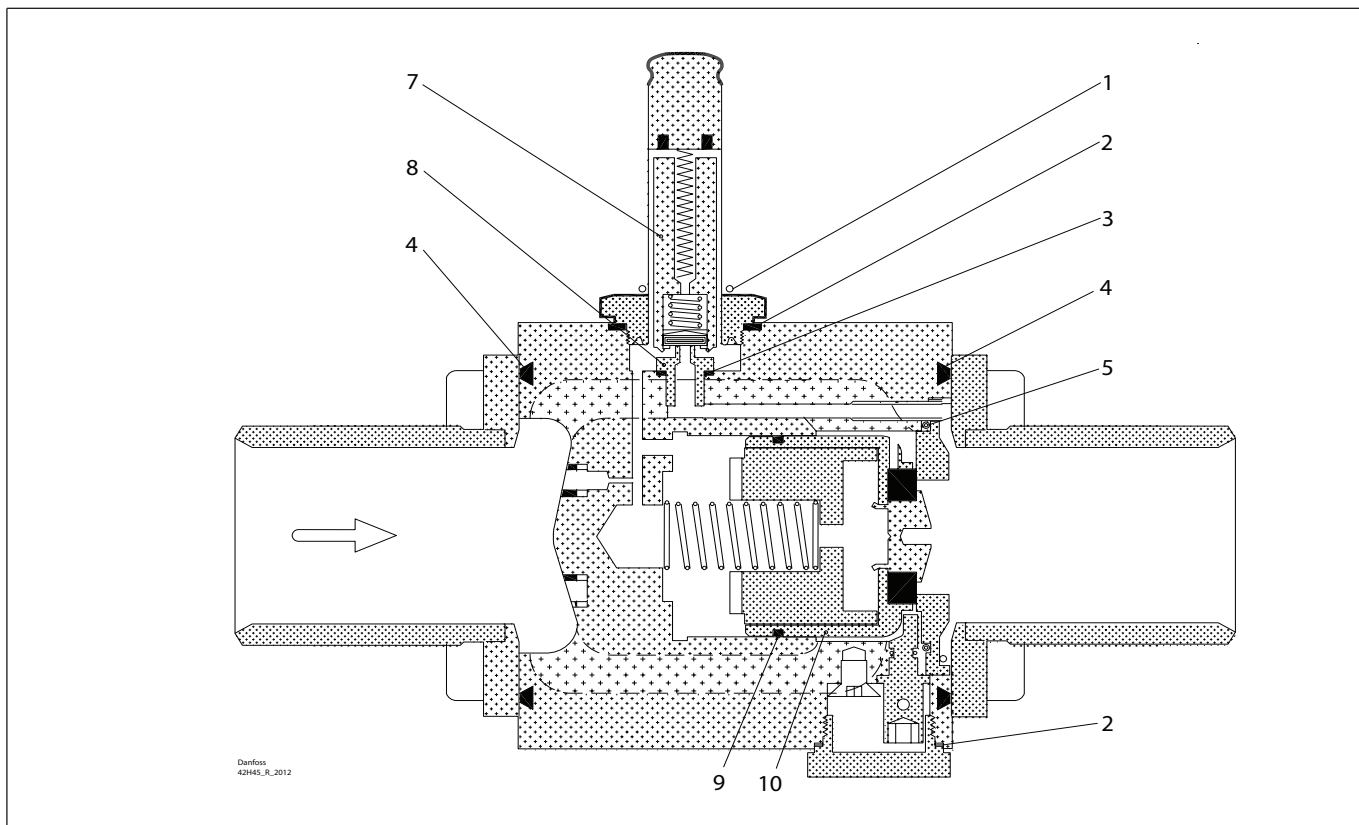


<p><b>1</b></p> <p>Total no. = 1</p>	<p><b>2</b></p> <p>Total no. = 1</p>	<p><b>3</b></p> <p>Total no. = 1</p>	<p><b>4</b></p> <p>Total no. = 1</p>	<p><b>5</b></p> <p>Total no. = 1</p>
<p><b>6</b></p> <p>Total no. = 2</p>	<p><b>7</b></p> <p>Total no. = 1</p>	<p><b>8</b></p> <p>Total no. = 1</p>	<p><b>9</b></p> <p>Total no. = 1</p>	<p><b>10</b></p>



# EVRA, size 32

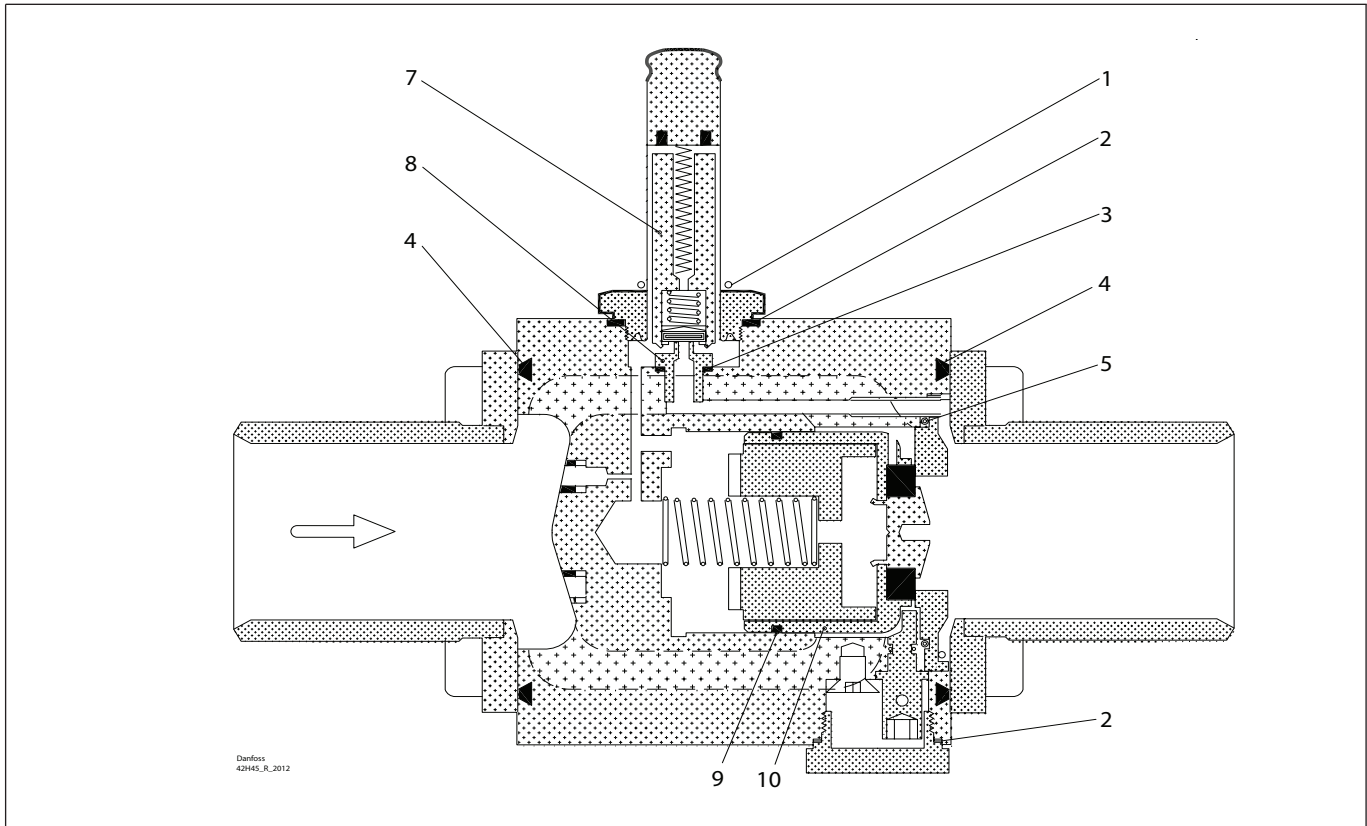
Repair kit | Code number 032F2334



<p><b>1</b></p> <p>Total no. = 1</p>	<p><b>2</b></p> <p>Alu.</p> <p>Total no. = 2</p>	<p><b>3</b></p> <p>Alu.</p> <p>Total no. = 1</p>	<p><b>4</b></p> <p>Total no. = 2</p>	<p><b>5</b></p> <p>Total no. = 1</p>
<p><b>7</b></p> <p>Total no. = 1</p>	<p><b>8</b></p> <p>Total no. = 1</p>	<p><b>9</b></p> <p>Steel</p> <p>Total no. = 1</p>	<p><b>10</b></p>	

# EVRA, size 40

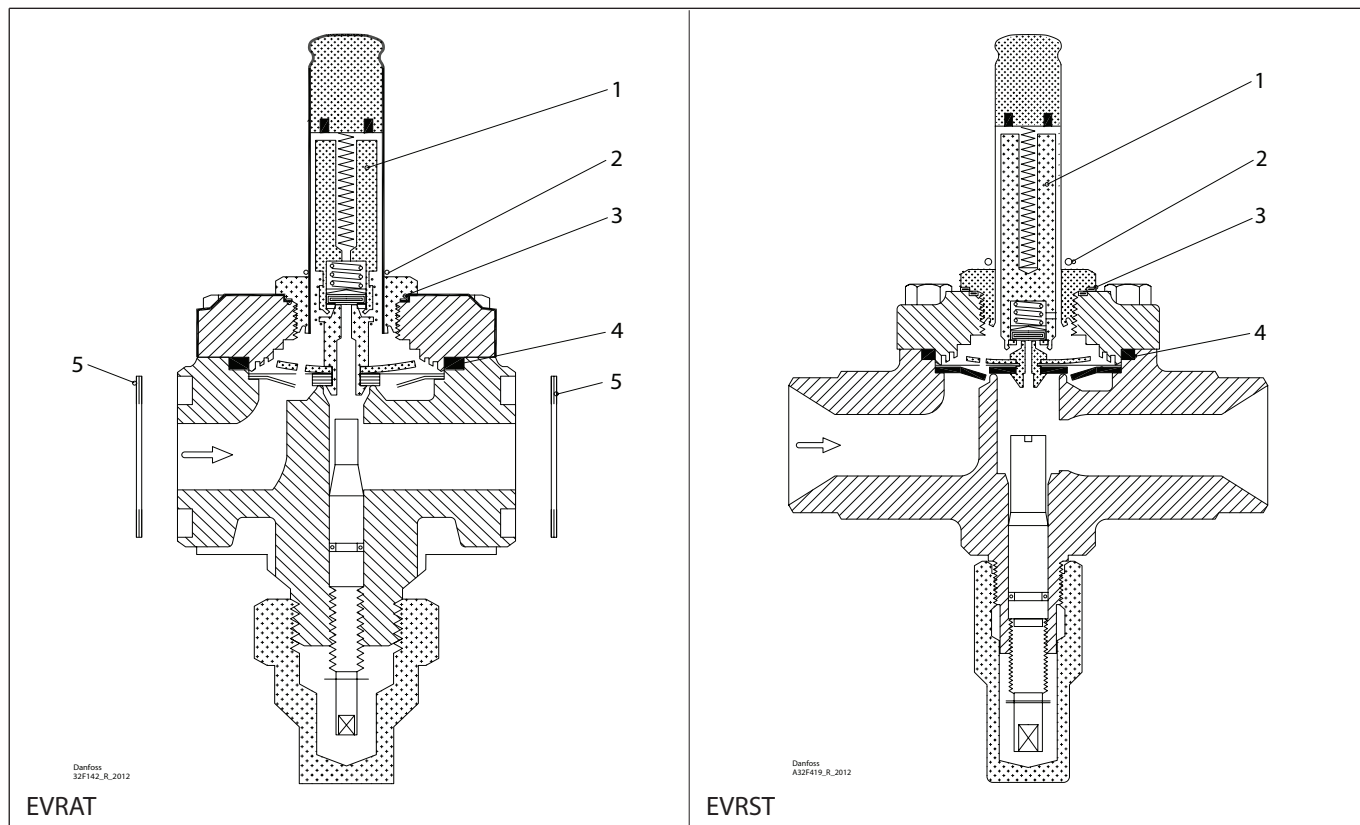
Repair kit | Code number 032F2335



<p><b>1</b></p> <p>Total no. = 1</p>	<p><b>2</b></p> <p>☞ = Alu.</p> <p>Total no. = 2</p>	<p><b>3</b></p> <p>☞ = Alu.</p> <p>Total no. = 1</p>	<p><b>4</b></p> <p>Total no. = 2</p>	<p><b>5</b></p> <p>Total no. = 1</p>
<p><b>7</b></p> <p>Total no. = 1</p>	<p><b>8</b></p> <p>Total no. = 1</p>	<p><b>9</b></p> <p>☞ = Steel</p> <p>Total no. = 1</p>	<p><b>10</b></p>	

# EV RAT and EV RST, size 10

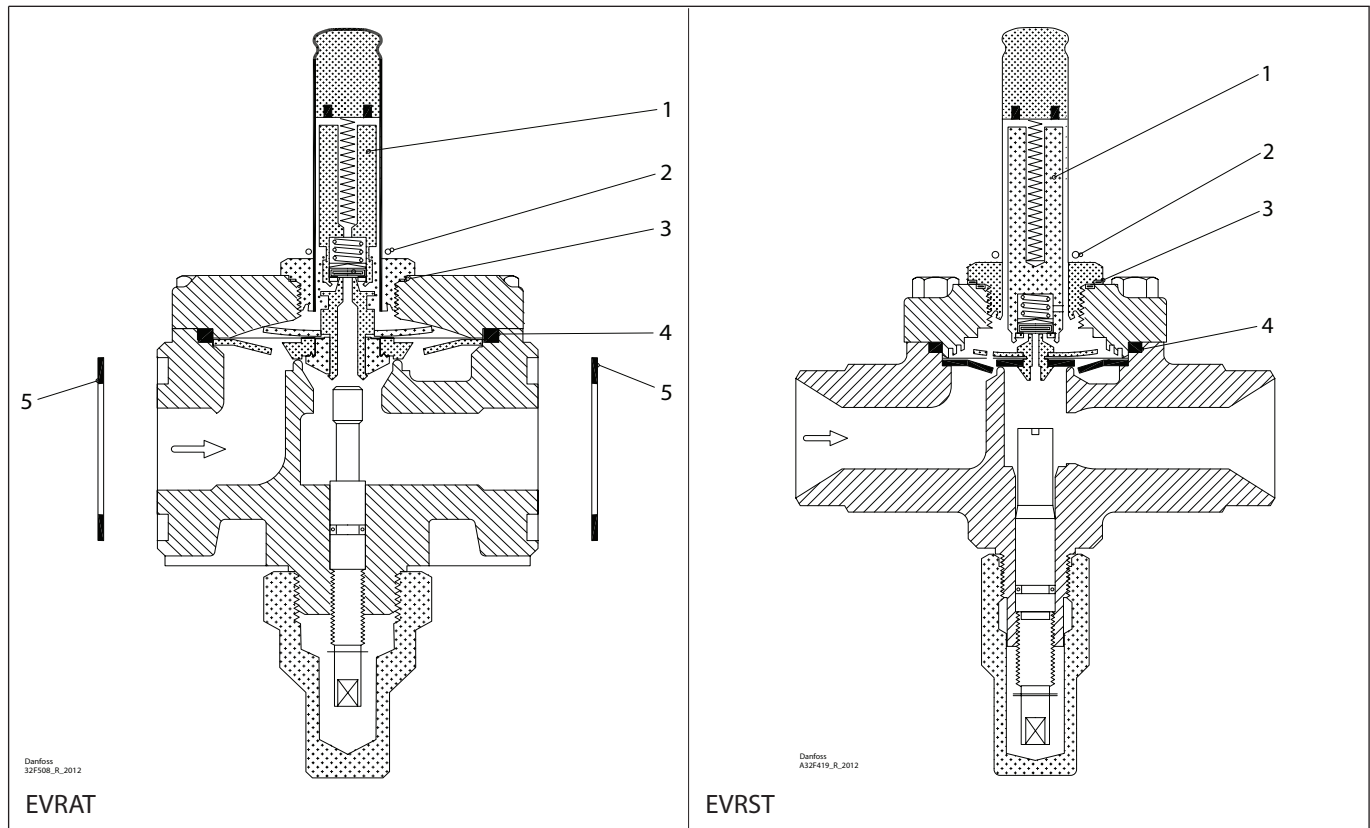
Repair kit | Code number 032F2343

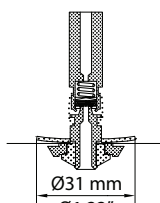
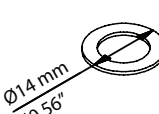
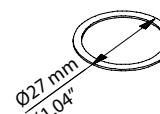
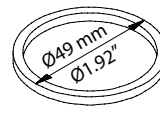
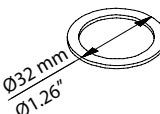


<p><b>1</b></p> <p>Total no. = 1</p>	<p><b>2</b></p> <p>Total no. = 1</p>	<p><b>3</b></p> <p>— = Alu.</p> <p>Total no. = 1</p>	<p><b>4</b></p> <p>— = Rubber</p> <p>Total no. = 1</p>	<p><b>5</b></p> <p>— = Fibre</p> <p>Total no. = 2</p>
--------------------------------------	--------------------------------------	--	--	---

# EVRAT and EVRST, size 15

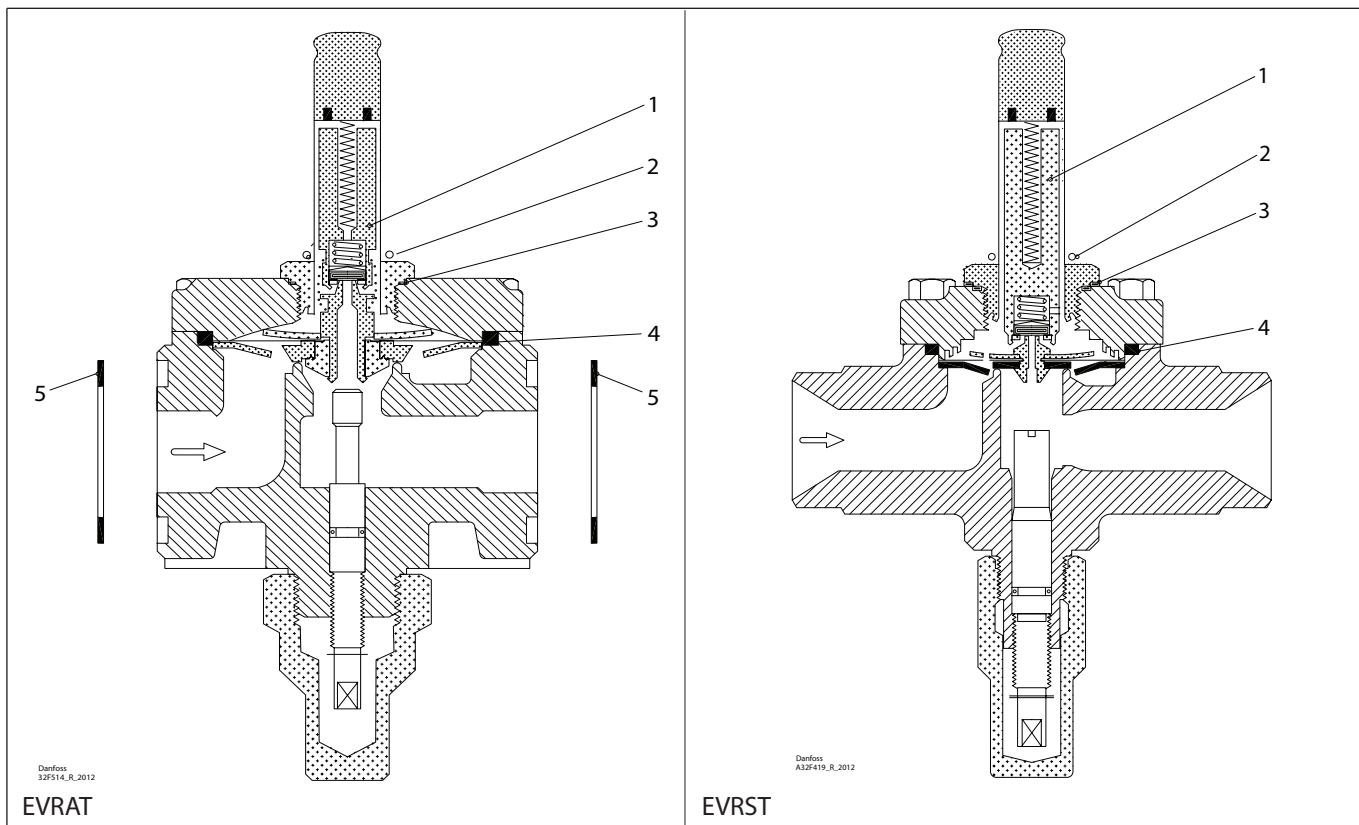
Repair kit | Code number 032F2344



<p><b>1</b></p>  <p>Ø31 mm Ø1.22"</p> <p>Total no. = 1</p>	<p><b>2</b></p>  <p>Ø14 mm Ø0.56"</p> <p>Total no. = 1</p>	<p><b>3</b></p>  <p>Ø27 mm Ø1.04"</p> <p>Total no. = 1</p>	<p><b>4</b></p>  <p>Ø49 mm Ø1.92"</p> <p>Total no. = 1</p>	<p><b>5</b></p>  <p>Ø32 mm Ø1.26"</p> <p>Total no. = 2</p>
---	---	---	--	---

# EV RAT and EVRST, size 20

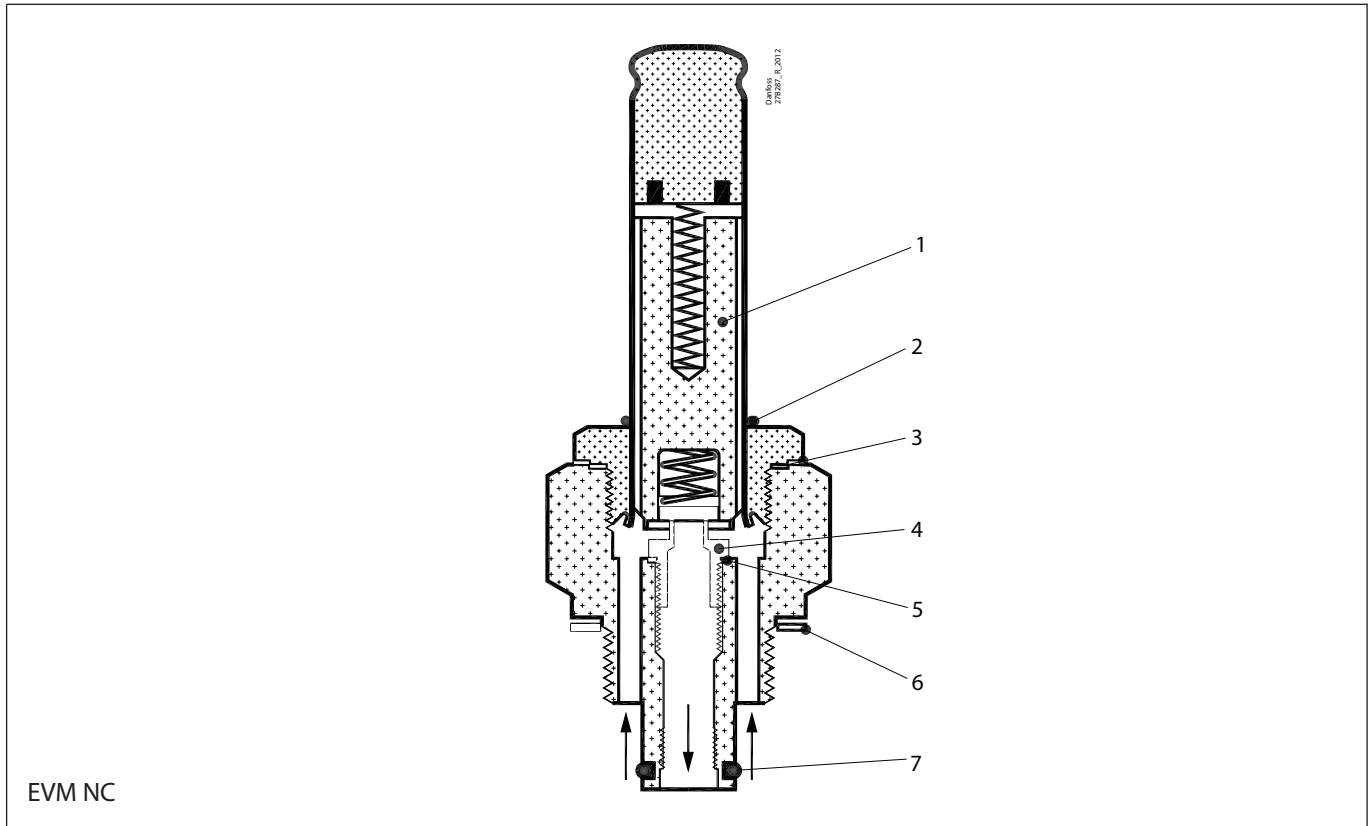
Repair kit | Code number 032F2345



<p><b>1</b></p> <p>Ø38 mm Ø1.5"</p> <p>Total no. = 1</p>	<p><b>2</b></p> <p>Ø14 mm Ø0.56"</p> <p>Total no. = 1</p>	<p><b>3</b></p> <p>Ø27 mm Ø1.04"</p> <p>Total no. = 1</p>	<p><b>4</b></p> <p>Ø64 mm Ø2.52"</p> <p>Total no. = 1</p>	<p><b>5</b></p> <p>Ø39 mm Ø1.54"</p> <p>Total no. = 2</p>
--	---	---	---	---

# EVM NC

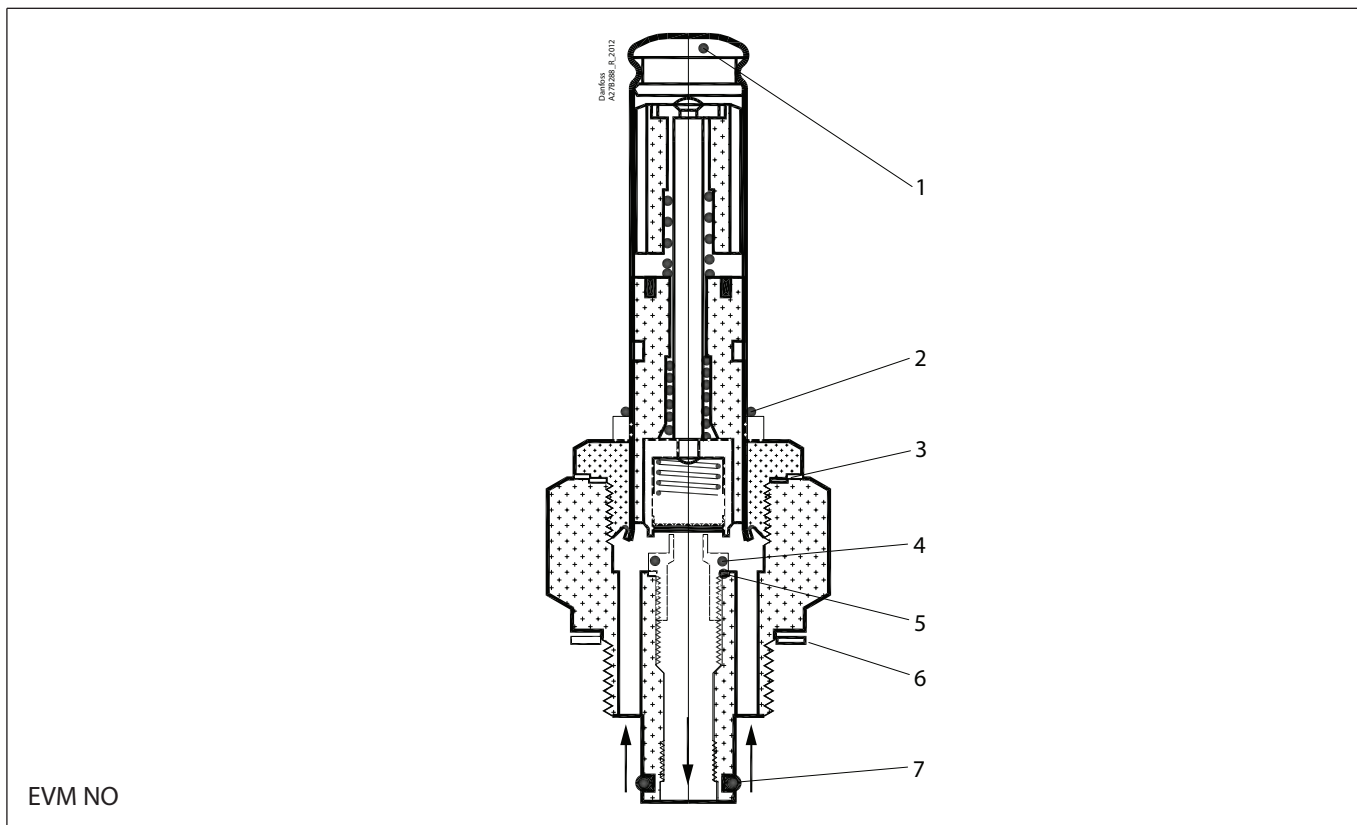
Repair kit | Code number 032F2324



<p><b>1</b></p> <p>44 mm 1.71"</p> <p>Total no. = 1</p>	<p><b>2</b></p> <p>Ø14 mm Ø0.56"</p> <p>Total no. = 1</p>	<p><b>3</b></p> <p>— = Alu.</p> <p>Ø27 mm Ø1.04"</p> <p>Total no. = 1</p>	<p><b>4</b></p> <p>Ø3.3 mm Ø0.13"</p> <p>Total no. = 1</p>	<p><b>5</b></p> <p>— = Alu.</p> <p>Ø10 mm Ø0.4"</p> <p>Total no. = 1</p>	<p><b>6</b></p> <p>— = Fibre</p> <p>Ø33 mm Ø1.3"</p> <p>Total no. = 1</p>
<p><b>7</b></p> <p>Ø9 mm Ø0.35"</p> <p>Total no. = 1</p>					

# EVM NO

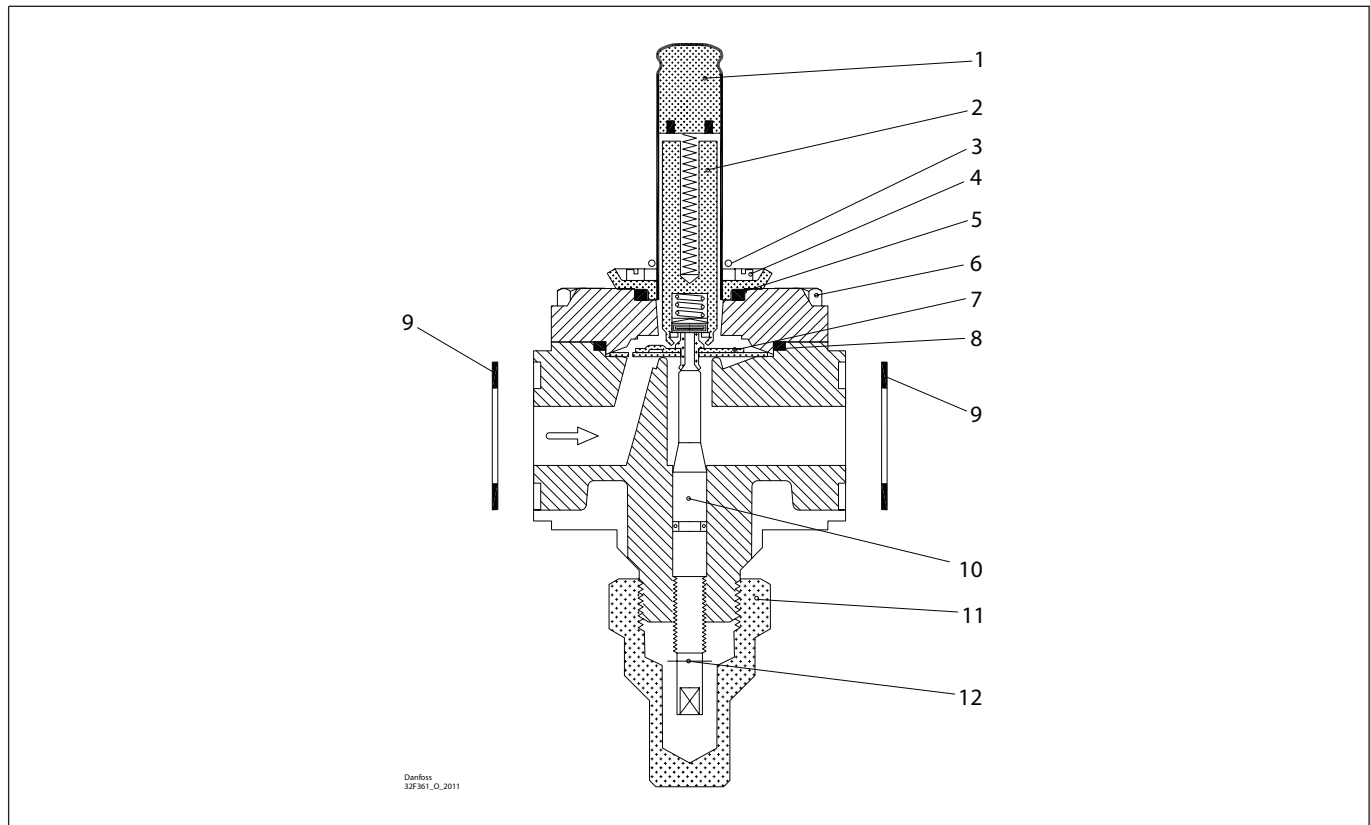
Repair kit | Code number 032F2325



<p><b>1</b></p> <p>Total no. = 1</p>	<p><b>2</b></p> <p>Total no. = 1</p>	<p><b>3</b></p> <p>— = Alu.</p> <p>Total no. = 1</p>	<p><b>4</b></p> <p>Total no. = 1</p>	<p><b>5</b></p> <p>— = Alu.</p> <p>Total no. = 1</p>	<p><b>6</b></p> <p>— = Fibre</p> <p>Total no. = 2</p>
<p><b>7</b></p> <p>Total no. = 1</p>					

# EVRA, size 10 (previous design)

Overhaul kit | Code number 032F2202

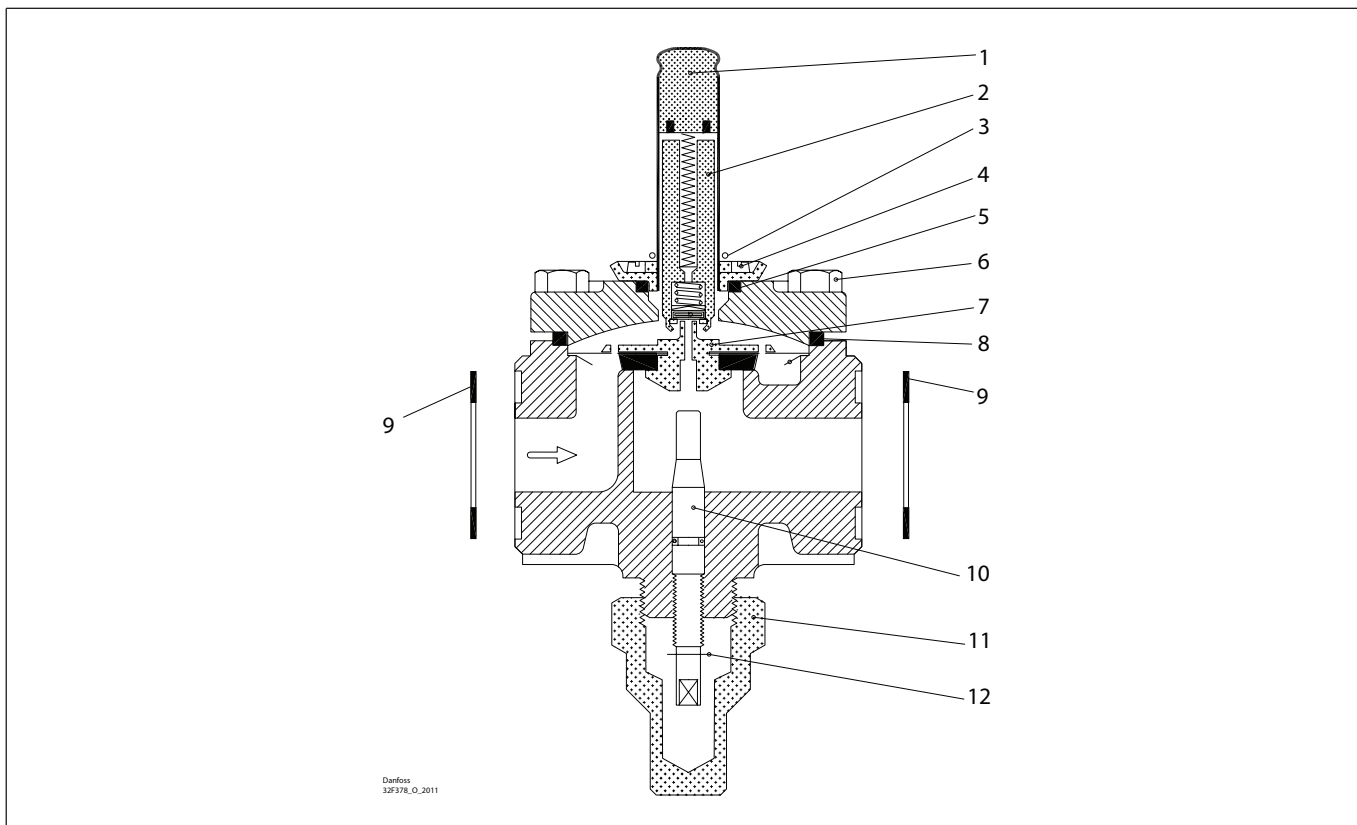


<p><b>1</b></p> <p>Total no. = 1</p>	<p><b>2</b> For AC/DC</p> <p>Total no. = 1</p>	<p><b>3</b></p> <p>Total no. = 1</p>	<p><b>4</b></p> <p>Total no. = 4</p>	<p><b>5</b></p> <p>Total no. = 1</p>	<p><b>6</b></p> <p>Total no. = 4</p>
<p><b>7</b></p> <p>Total no. = 1</p>	<p><b>8</b></p> <p>Total no. = 1</p>	<p><b>9</b></p> <p>Total no. = 2</p>	<p><b>10</b></p> <p>Total no. = 1</p>	<p><b>11</b></p> <p>Total no. = 1</p>	<p><b>12</b></p> <p>Total no. = 1</p>



# EVRA, size 15 (previous design)

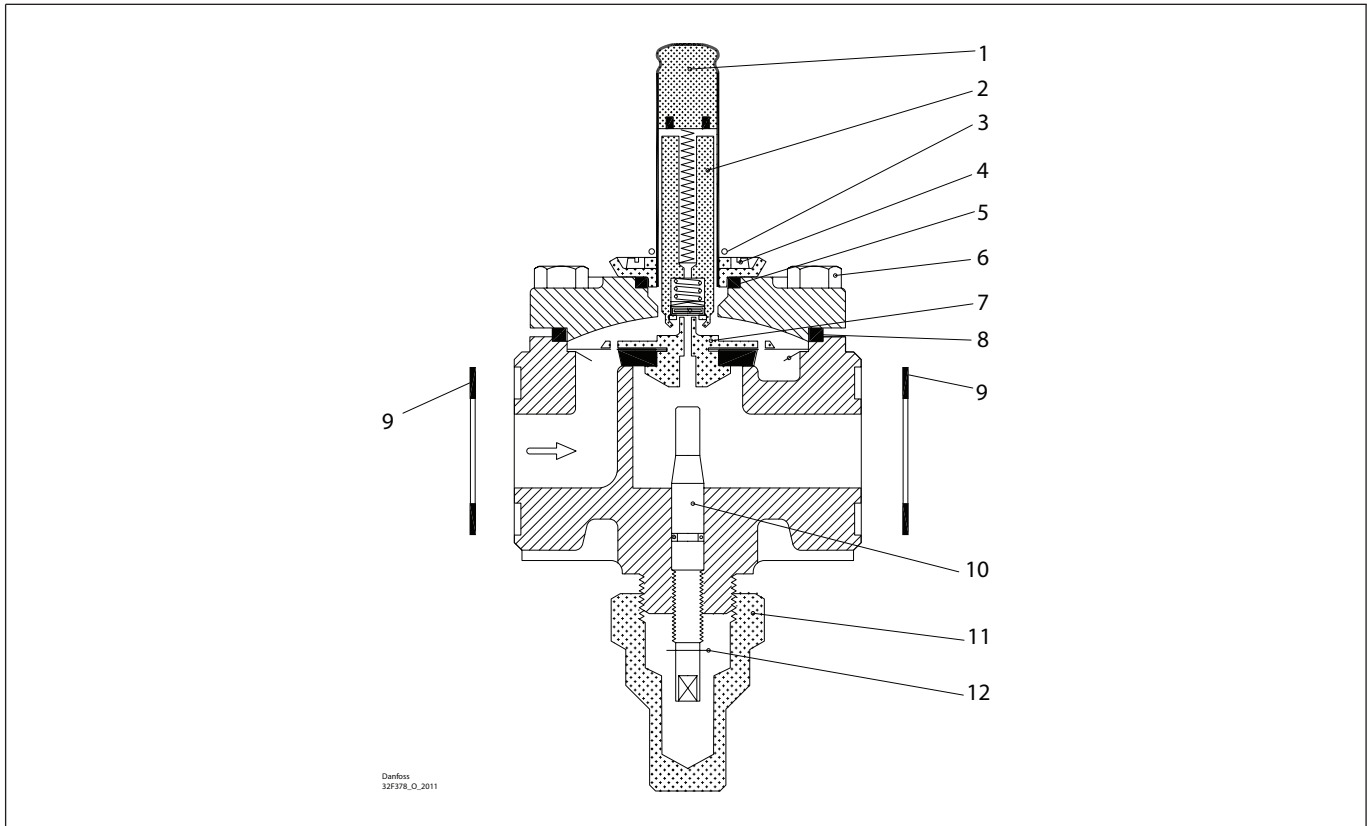
Overhaul kit | Code number 032F2209



<p><b>1</b></p> <p>Total no. = 1</p>	<p><b>2</b> For AC/DC</p> <p>Total no. = 1</p>	<p><b>3</b></p> <p>Total no. = 1</p>	<p><b>4</b></p> <p>Total no. = 4</p>	<p><b>5</b> = Rubber</p> <p>Total no. = 1</p>	<p><b>6</b></p> <p>Total no. = 4</p>
<p><b>7</b></p> <p>Total no. = 1</p>	<p><b>8</b> = Rubber</p> <p>Total no. = 1</p>	<p><b>9</b> = Fibre</p> <p>Total no. = 2</p>	<p><b>10</b></p> <p>Total no. = 1</p>	<p><b>11</b></p> <p>Total no. = 1</p>	<p><b>12</b></p> <p>Total no. = 1</p>

# EVRA, size 20 (previous design)

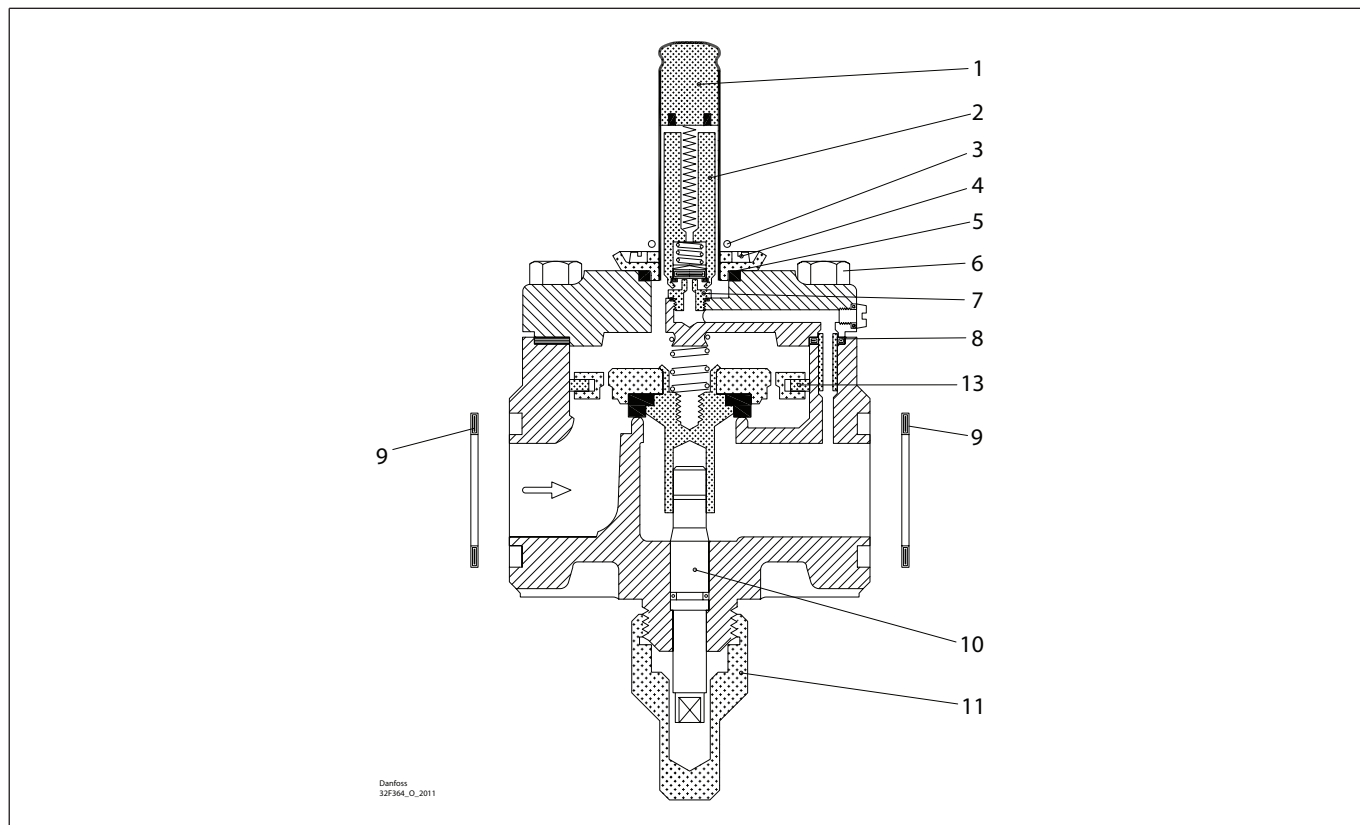
Overhaul kit | Code number 032F2210



<p><b>1</b></p> <p>Total no. = 1</p>	<p><b>2</b> For AC/DC</p> <p>Total no. = 1</p>	<p><b>3</b></p> <p>Total no. = 1</p>	<p><b>4</b></p> <p>Total no. = 4</p>	<p><b>5</b></p> <p>Total no. = 1</p>	<p><b>6</b></p> <p>Total no. = 4</p>
<p><b>7</b></p> <p>Total no. = 1</p>	<p><b>8</b></p> <p>Total no. = 1</p>	<p><b>9</b></p> <p>Total no. = 2</p>	<p><b>10</b></p> <p>Total no. = 1</p>	<p><b>11</b></p> <p>Total no. = 1</p>	<p><b>12</b></p> <p>Total no. = 1</p>

# EVRA, size 25 (previous design)

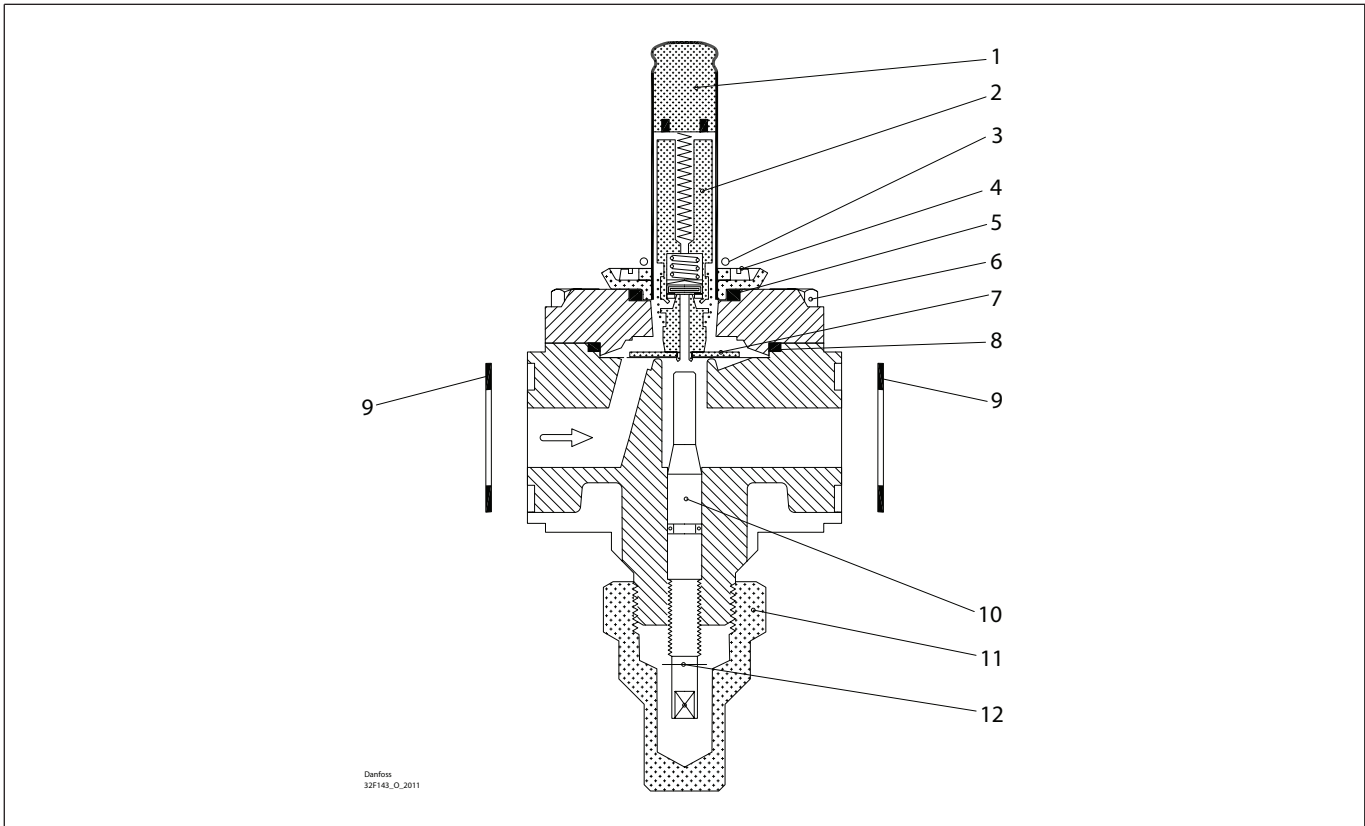
Overhaul kit | Code number 032F2218



<p><b>1</b></p> <p>Total no. = 1</p>	<p><b>2</b> For AC/DC</p> <p>Total no. = 1</p>	<p><b>3</b></p> <p>Total no. = 1</p>	<p><b>4</b></p> <p>Total no. = 4</p>	<p><b>5</b></p> <p>Total no. = 1</p>	<p><b>6</b></p> <p>Total no. = 4</p>
<p><b>7</b></p> <p>Total no. = 1</p>	<p><b>8</b></p> <p>Total no. = 1</p>	<p><b>9</b></p> <p>Total no. = 2</p>	<p><b>10</b></p> <p>Total no. = 1</p>	<p><b>11</b></p> <p>Total no. = 1</p>	<p><b>13</b></p> <p>Total no. = 1</p>

# EVRAT, size 10 (previous design)

Overhaul kit | Code number 032F2321

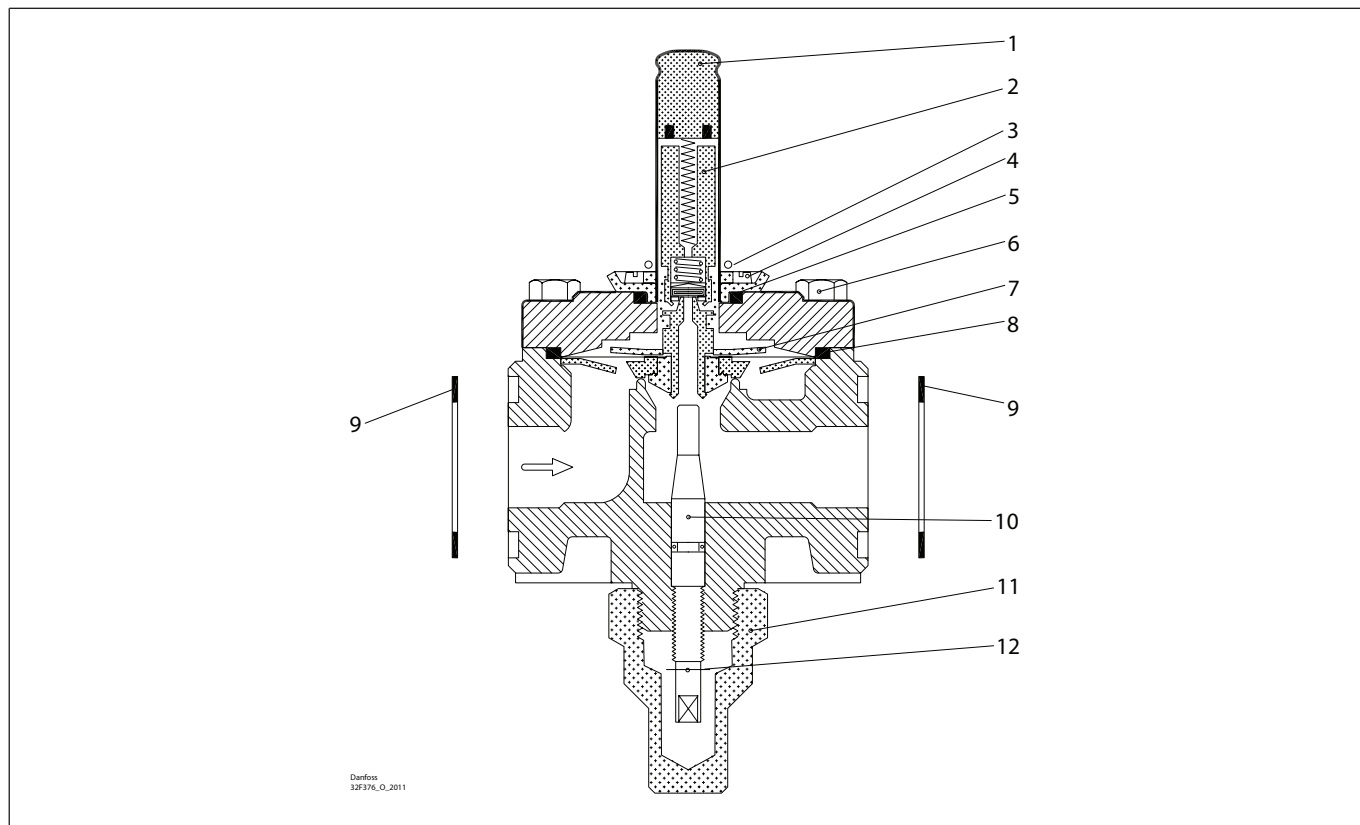


Danfoss  
32F143\_O\_2011

<p><b>1</b></p> <p>Total no. = 1</p>	<p><b>2</b></p> <p>Total no. = 1</p>	<p><b>3</b></p> <p>Total no. = 1</p>	<p><b>4</b></p> <p>Total no. = 4</p>	<p><b>5</b></p> <p>Total no. = 1</p>	<p><b>6</b></p> <p>Total no. = 4</p>
<p><b>7</b></p> <p>Total no. = 1</p>	<p><b>8</b></p> <p>Total no. = 1</p>	<p><b>9</b></p> <p>Total no. = 2</p>	<p><b>10</b></p> <p>Total no. = 1</p>	<p><b>11</b></p> <p>Total no. = 1</p>	<p><b>12</b></p> <p>Total no. = 1</p>

# EVRAT, size 15 (previous design)

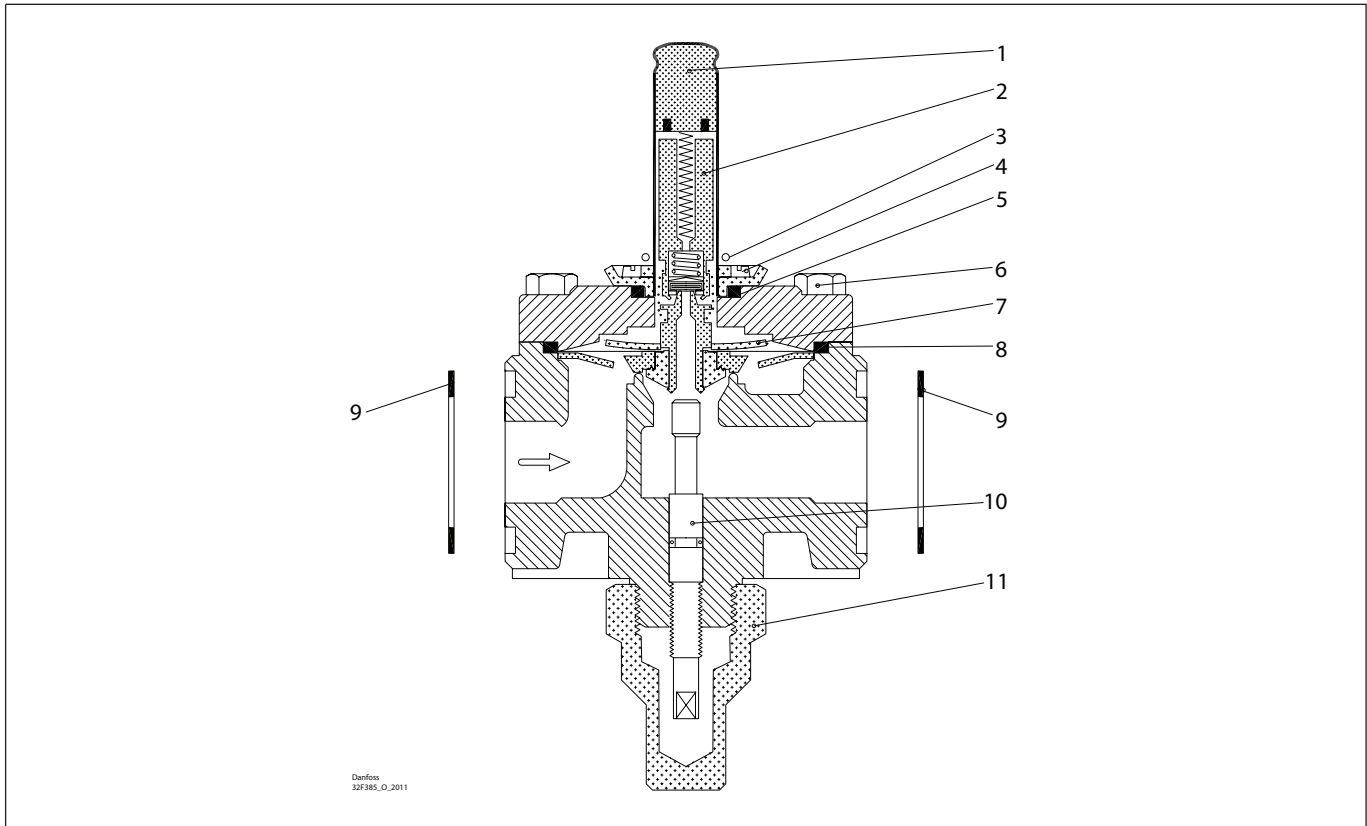
Overhaul kit | Code number 032F2322



<p><b>1</b></p> <p>Total no. = 1</p>	<p><b>2</b></p> <p>Total no. = 1</p>	<p><b>3</b></p> <p>Total no. = 1</p>	<p><b>4</b></p> <p>Total no. = 4</p>	<p><b>5</b></p> <p>Total no. = 1</p>	<p><b>6</b></p> <p>Total no. = 4</p>
<p><b>7</b></p> <p>Total no. = 1</p>	<p><b>8</b></p> <p>Total no. = 1</p>	<p><b>9</b></p> <p>Total no. = 2</p>	<p><b>10</b></p> <p>Total no. = 1</p>	<p><b>11</b></p> <p>Total no. = 1</p>	<p><b>12</b></p> <p>Total no. = 1</p>

# EVRAT, size 20 (previous design)

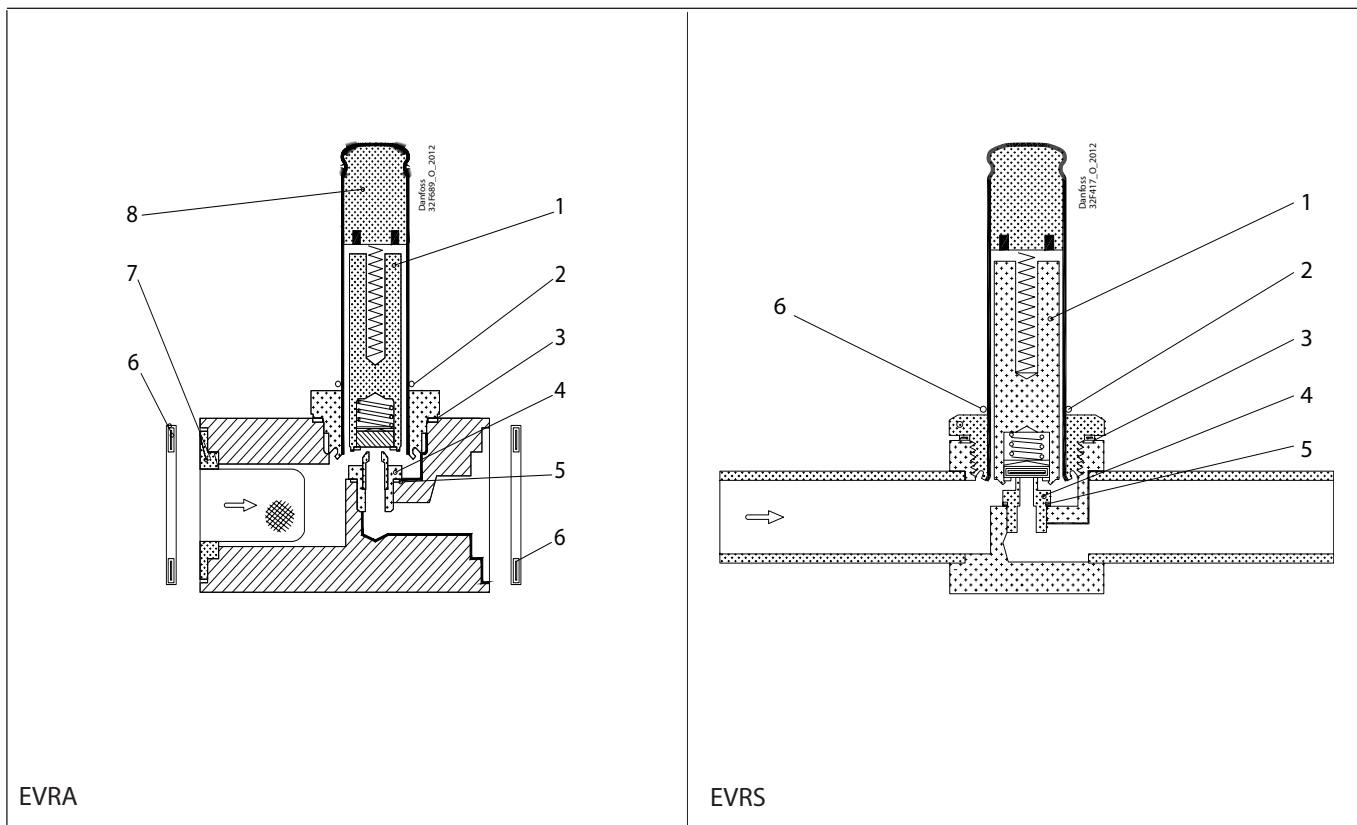
Overhaul kit | Code number 032F2323



<p><b>1</b></p> <p>Total no. = 1</p>	<p><b>2</b></p> <p>Total no. = 1</p>	<p><b>3</b></p> <p>Total no. = 1</p>	<p><b>4</b></p> <p>Total no. = 4</p>	<p><b>5</b></p> <p>Total no. = 1</p>	<p><b>6</b></p> <p>Total no. = 4</p>
<p><b>7</b></p> <p>Total no. = 1</p>	<p><b>8</b></p> <p>Total no. = 1</p>	<p><b>9</b></p> <p>Total no. = 2</p>	<p><b>10</b></p> <p>Total no. = 1</p>	<p><b>11</b></p> <p>Total no. = 1</p>	

# EVRA and EVRS, size 3

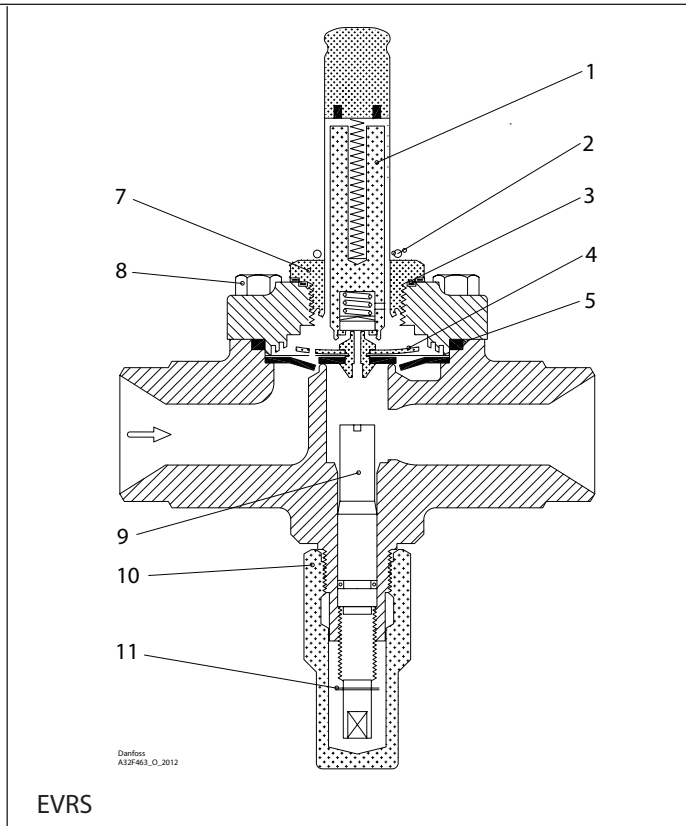
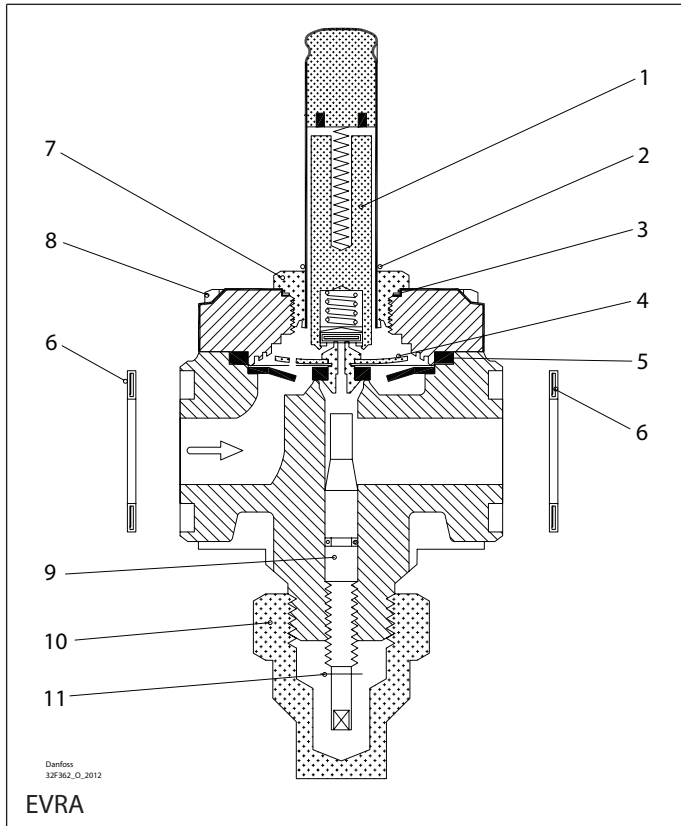
Overhaul kit | Code number 032F2336



<p><b>1</b> For AC / DC</p> <p>Total no. = 1</p>	<p><b>2</b></p> <p>Total no. = 1</p>	<p><b>3</b></p> <p>Total no. = 1</p>	<p><b>4</b></p> <p>Total no. = 1</p>	<p><b>5</b></p> <p>Total no. = 1</p>	<p><b>6</b></p> <p>Total no. = 2</p>
<p><b>7</b></p> <p>Total no. = 1</p>	<p><b>8</b></p> <p>Total no. = 1</p>				

# EVRA and EVRS, size 10

Overhaul kit | Code number 032F2337

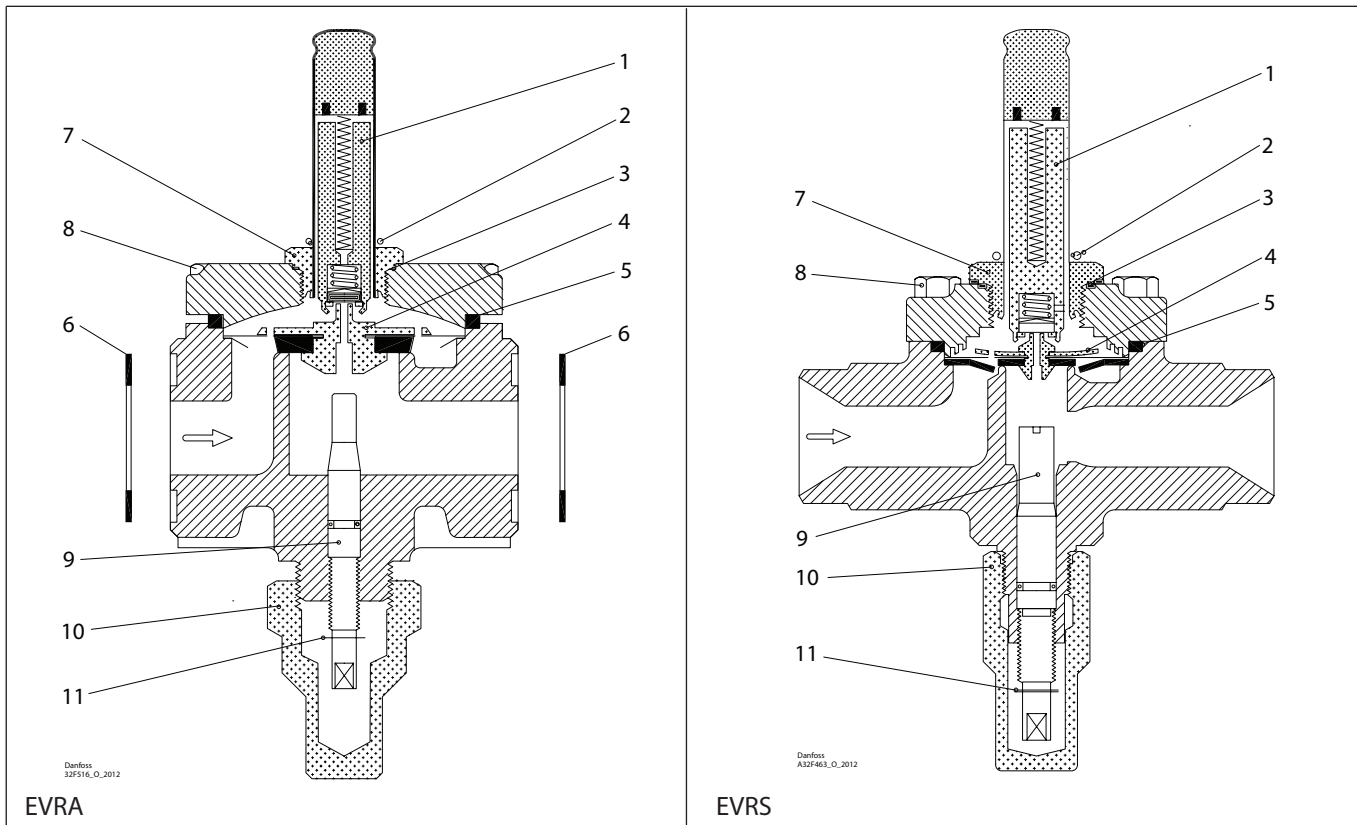


<p><b>1</b> For AC / DC</p> <p>Total no. = 1</p>	<p><b>2</b></p> <p>Total no. = 1</p>	<p><b>3</b></p> <p>Total no. = 1</p>	<p><b>4</b></p> <p>Total no. = 1</p>	<p><b>5</b></p> <p>Total no. = 1</p>	<p><b>6</b></p> <p>Total no. = 2</p>
<p><b>7</b></p> <p>Total no. = 1</p>	<p><b>8</b></p> <p>Total no. = 4</p>	<p><b>9</b></p> <p>Total no. = 1</p>	<p><b>10</b></p> <p>Total no. = 1</p>	<p><b>11</b></p> <p>Total no. = 1</p>	



# EVRA and EVRS, size 15

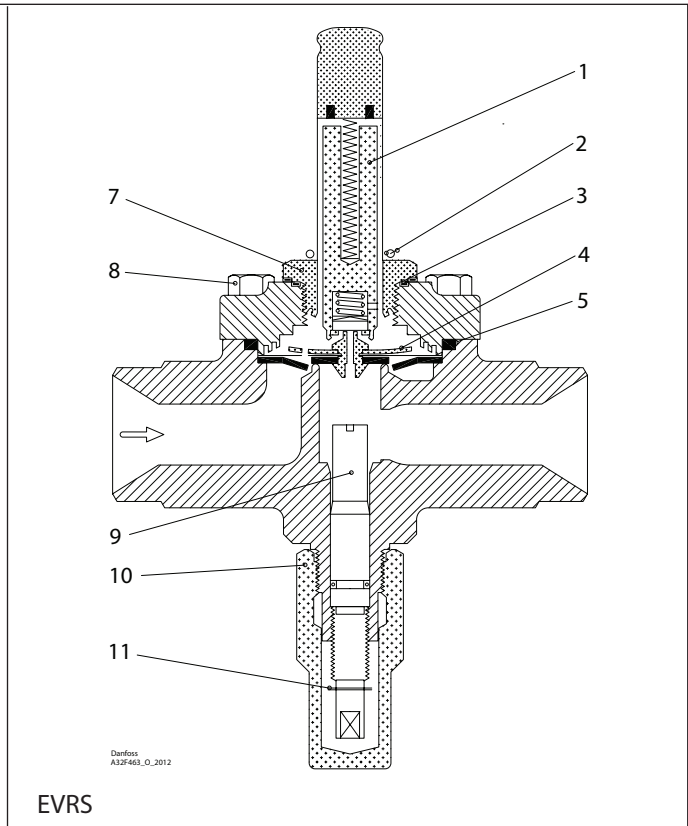
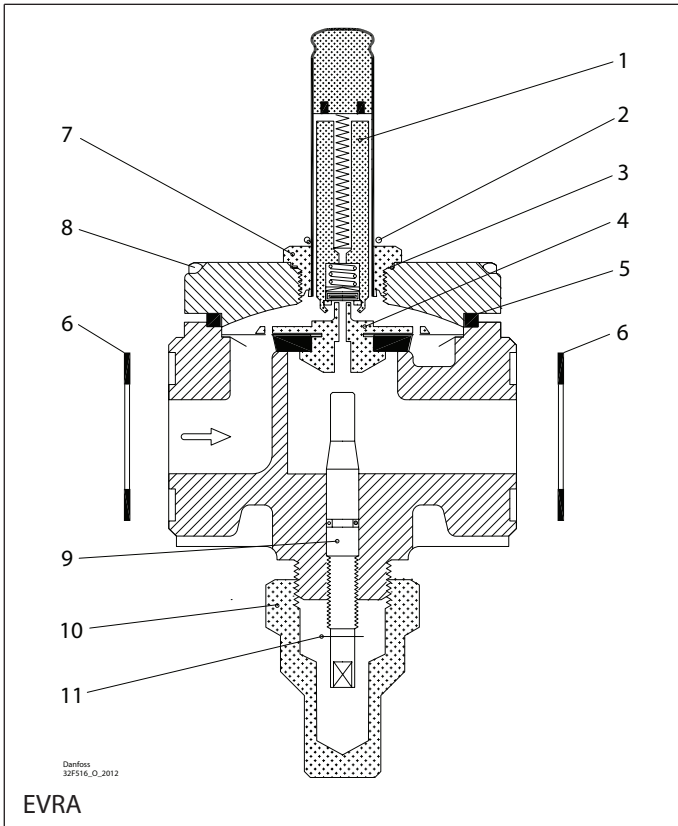
Overhaul kit | Code number 032F2338



<p><b>1</b> For AC / DC</p> <p>Total no. = 1</p>	<p><b>2</b></p> <p>Total no. = 1</p>	<p><b>3</b></p> <p>Total no. = 1</p>	<p><b>4</b></p> <p>Total no. = 1</p>	<p><b>5</b></p> <p>Total no. = 1</p>	<p><b>6</b></p> <p>Total no. = 2</p>
<p><b>7</b></p> <p>Total no. = 1</p>	<p><b>8</b></p> <p>Total no. = 4</p>	<p><b>9</b></p> <p>Total no. = 1</p>	<p><b>10</b></p> <p>Total no. = 1</p>	<p><b>11</b></p> <p>Total no. = 1</p>	

# EVRA and EVRS, size 20

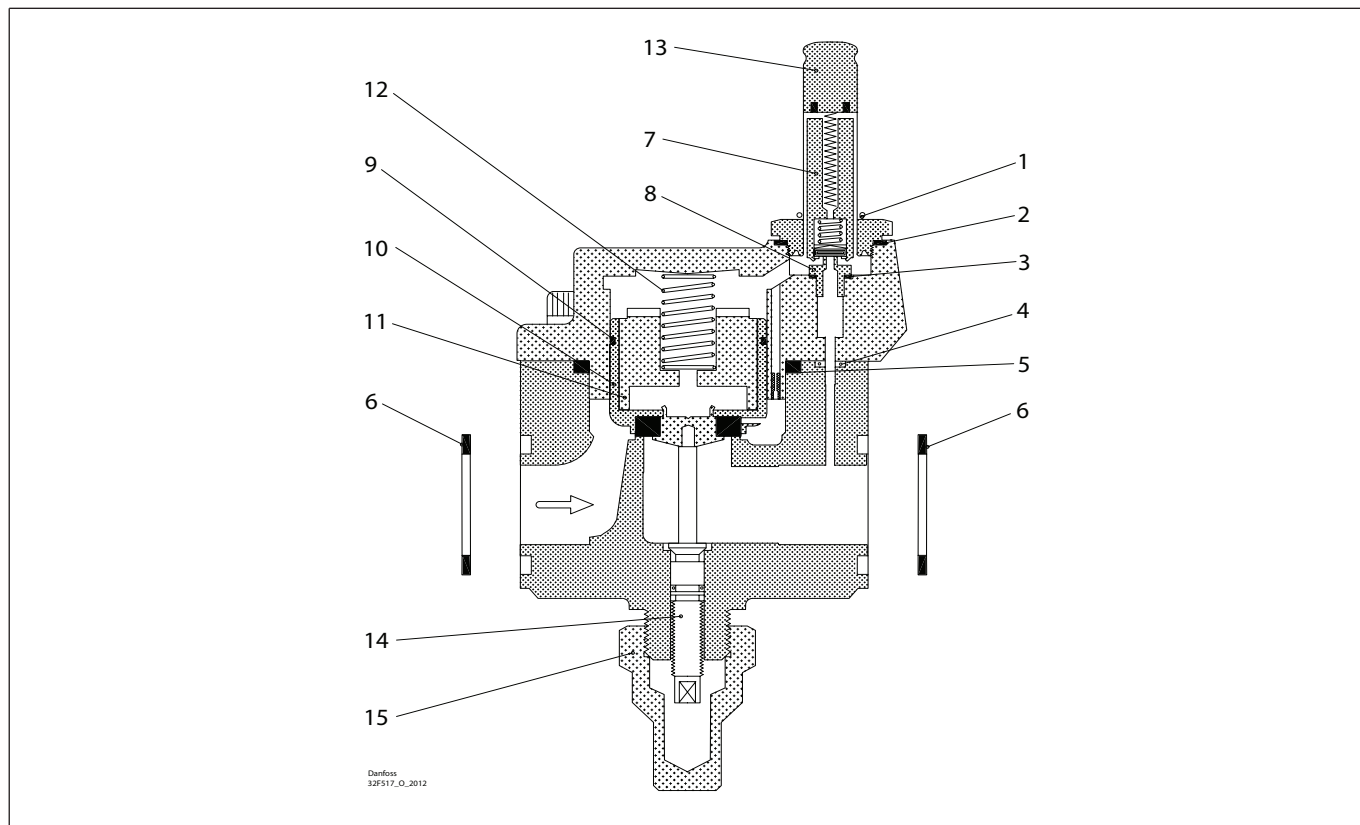
Overhaul kit | Code number 032F2339



<p><b>1</b> For AC / DC</p> <p>Total no. = 1</p>	<p><b>2</b></p> <p>Total no. = 1</p>	<p><b>3</b> = Alu.</p> <p>Total no. = 1</p>	<p><b>4</b></p> <p>Total no. = 1</p>	<p><b>5</b> = Rubber</p> <p>Total no. = 1</p>	<p><b>6</b> = Fibre</p> <p>Total no. = 2</p>
<p><b>7</b></p> <p>Total no. = 1</p>	<p><b>8</b></p> <p>Total no. = 4</p>	<p><b>9</b></p> <p>Total no. = 1</p>	<p><b>10</b></p> <p>Total no. = 1</p>	<p><b>11</b></p> <p>Total no. = 1</p>	

# EVRA, size 25

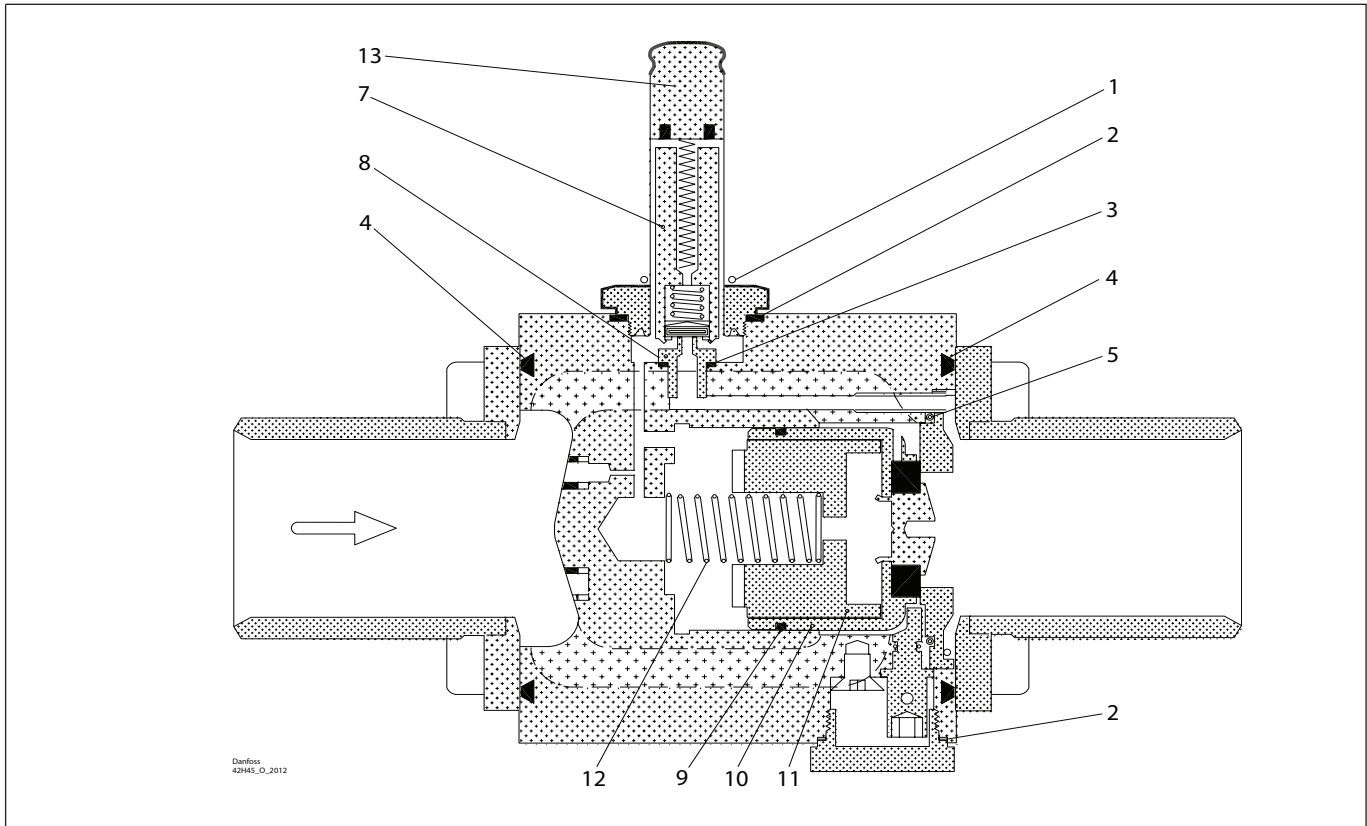
Overhaul kit | Code number 032F2340



<p><b>1</b></p> <p>Total no. = 1</p>	<p><b>2</b></p> <p>Total no. = 1</p>	<p><b>3</b></p> <p>Total no. = 1</p>	<p><b>4</b></p> <p>Total no. = 1</p>	<p><b>5</b></p> <p>Total no. = 1</p>
<p><b>6</b></p> <p>Total no. = 2</p>	<p><b>7</b></p> <p>Total no. = 1</p>	<p><b>8</b></p> <p>Total no. = 1</p>	<p><b>9</b></p> <p>Total no. = 1</p>	<p><b>10</b></p> <p>Total no. = 1</p>
<p><b>11</b></p> <p>Total no. = 1</p>	<p><b>12</b></p> <p>Total no. = 1</p>	<p><b>13</b></p> <p>Total no. = 1</p>	<p><b>14</b></p> <p>Total no. = 1</p>	<p><b>15</b></p> <p>Total no. = 1</p>

# EVRA, size 32

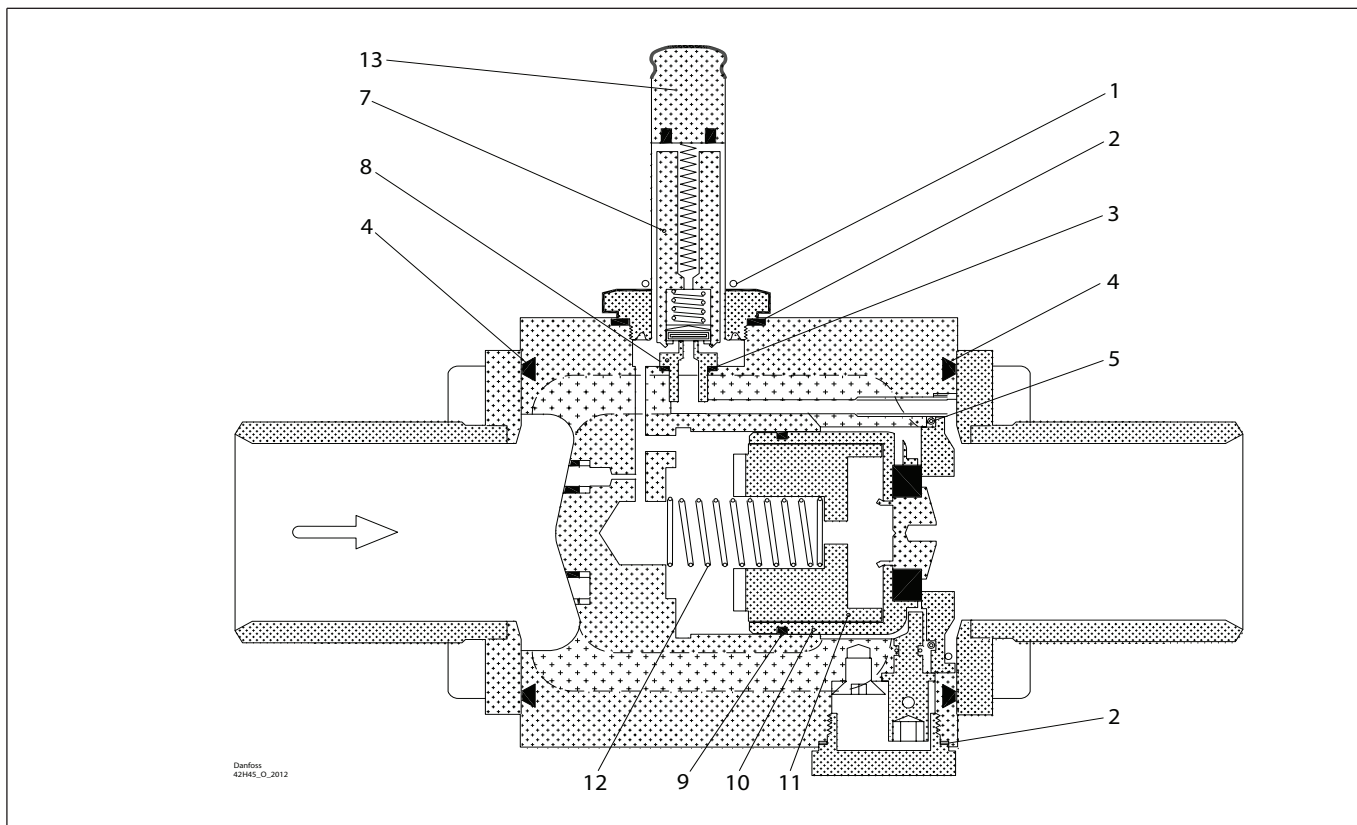
Overhaul kit | Code number 032F2341



<p><b>1</b></p> <p>Total no. = 1</p>	<p><b>2</b></p> <p>Alu.</p> <p>Total no. = 2</p>	<p><b>3</b></p> <p>Alu.</p> <p>Total no. = 1</p>	<p><b>4</b></p> <p>Total no. = 2</p>	<p><b>5</b></p> <p>Total no. = 1</p>
<p><b>7</b></p> <p>Total no. = 1</p>	<p><b>8</b></p> <p>Total no. = 1</p>	<p><b>9</b></p> <p>Steel</p> <p>Total no. = 1</p>	<p><b>10</b></p>	<p><b>11</b></p> <p>Total no. = 1</p>
<p><b>12</b></p> <p>Total no. = 1</p>	<p><b>13</b></p> <p>Total no. = 1</p>			

# EVRA, size 40

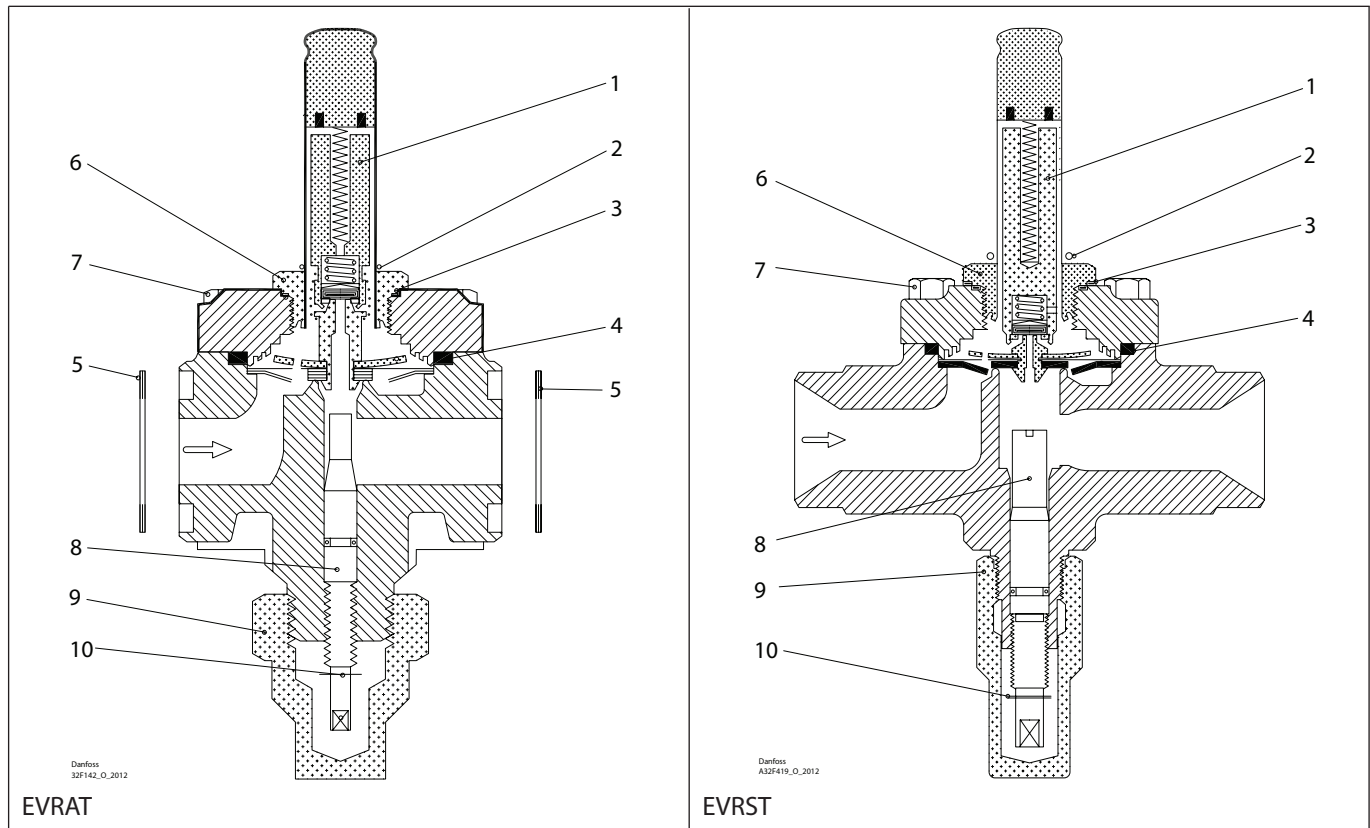
Overhaul kit | Code number 032F2342



<p><b>1</b></p> <p>Total no. = 1</p>	<p><b>2</b></p> <p>Alu.</p> <p>Total no. = 2</p>	<p><b>3</b></p> <p>Alu.</p> <p>Total no. = 1</p>	<p><b>4</b></p> <p>Total no. = 2</p>	<p><b>5</b></p> <p>Total no. = 1</p>
<p><b>7</b></p> <p>Total no. = 1</p>	<p><b>8</b></p> <p>Total no. = 1</p>	<p><b>9</b></p> <p>Steel</p> <p>Total no. = 1</p>	<p><b>10</b></p>	<p><b>11</b></p> <p>Total no. = 1</p>
<p><b>12</b></p> <p>Total no. = 1</p>	<p><b>13</b></p> <p>Total no. = 1</p>			

# EVRAT / EVRST, size 10

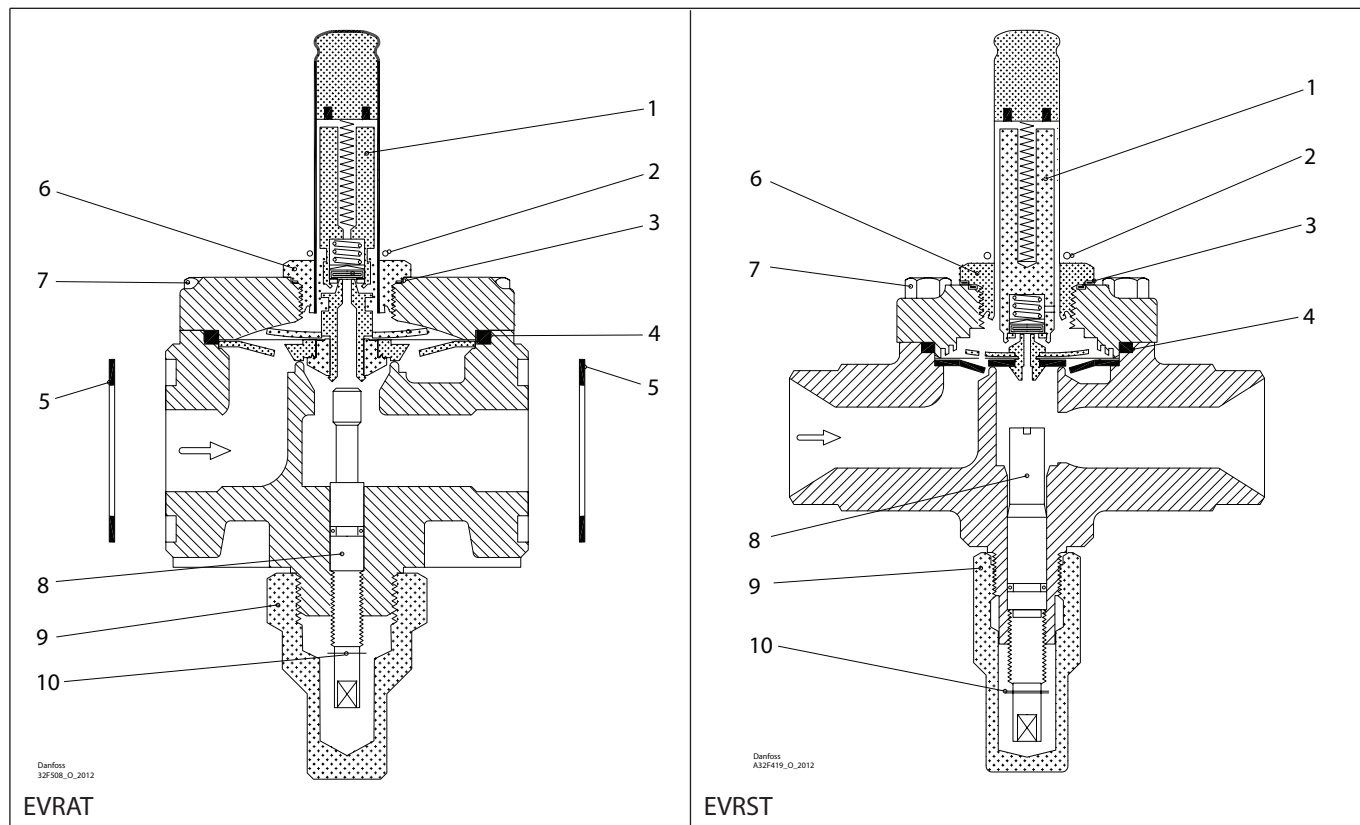
Overhaul kit | Code number 032F2346



<p><b>1</b></p> <p>Ø31mm Ø1.22"</p> <p>Total no. = 1</p>	<p><b>2</b></p> <p>Ø14 mm Ø0.56"</p> <p>Total no. = 1</p>	<p><b>3</b></p> <p>Ø27 mm Ø1.04"</p> <p>Total no. = 1</p>	<p><b>4</b></p> <p>Ø49 mm Ø1.92"</p> <p>Total no. = 1</p>	<p><b>5</b></p> <p>Ø32 mm Ø1.26"</p> <p>Total no. = 2</p>	<p><b>6</b></p> <p>51 mm 2.01"</p> <p>Total no. = 1</p>
<p><b>7</b></p> <p>20 mm 0.79"</p> <p>Total no. = 4</p>	<p><b>8</b></p> <p>73mm 2.87"</p> <p>Total no. = 1</p>	<p><b>9</b></p> <p>NV 32 mm NV 1.26"</p> <p>Total no. = 1</p>	<p><b>10</b></p> <p>Ø5 mm Ø0.2"</p> <p>Total no. = 1</p>		

# EV RAT / EV RST, size 15

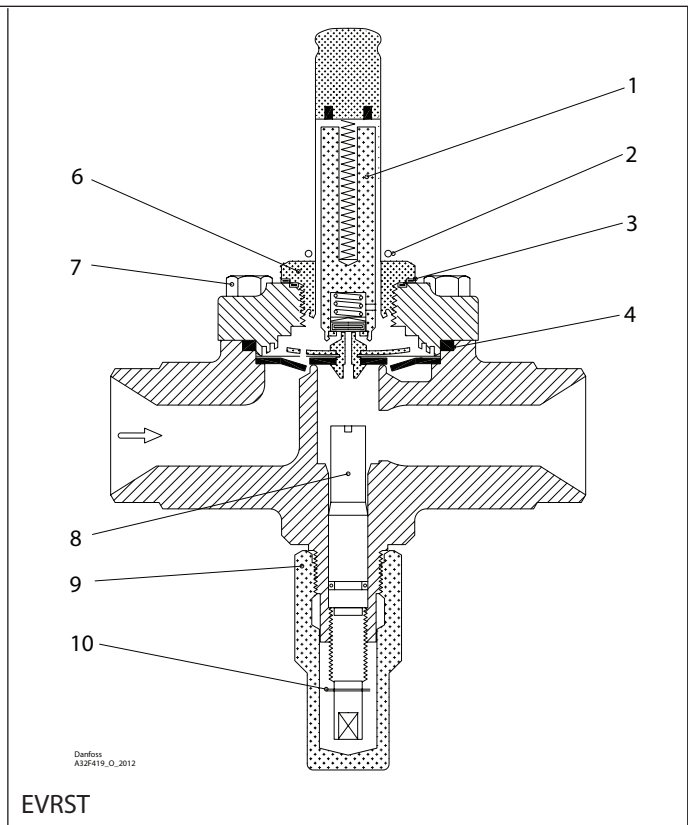
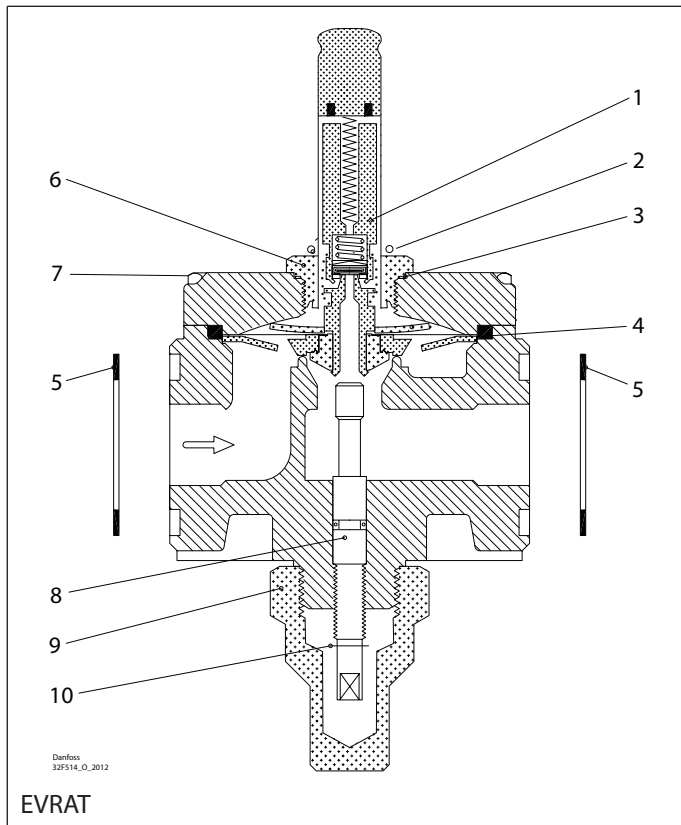
Overhaul kit | Code number 032F2347



<p><b>1</b></p> <p>Total no. = 1</p>	<p><b>2</b></p> <p>Total no. = 1</p>	<p><b>3</b></p> <p>Total no. = 1</p>	<p><b>4</b></p> <p>Total no. = 1</p>	<p><b>5</b></p> <p>Total no. = 2</p>	<p><b>6</b></p> <p>Total no. = 1</p>
<p><b>7</b></p> <p>Total no. = 4</p>	<p><b>8</b></p> <p>Total no. = 1</p>	<p><b>9</b></p> <p>Total no. = 1</p>	<p><b>10</b></p> <p>Total no. = 1</p>		

# EVRAT / EVRST, size 20

Overhaul kit | Code number 032F2348



<p><b>1</b></p> <p>Total no. = 1</p>	<p><b>2</b></p> <p>Total no. = 1</p>	<p><b>3</b></p> <p>Total no. = 1</p>	<p><b>4</b></p> <p>Total no. = 1</p>	<p><b>5</b></p> <p>Total no. = 2</p>	<p><b>6</b></p> <p>Total no. = 1</p>
<p><b>7</b></p> <p>Total no. = 4</p>	<p><b>8</b></p> <p>Total no. = 1</p>	<p><b>9</b></p> <p>Total no. = 1</p>	<p><b>10</b></p> <p>Total no. = 1</p>		