

Fig. 1, EVR 2 and 3 (NC)

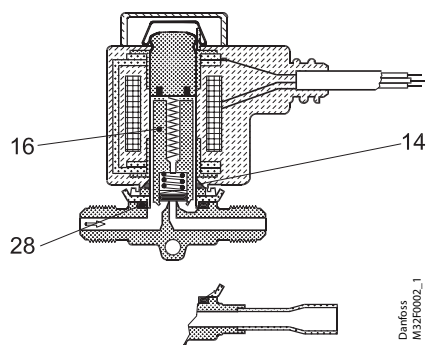


Fig. 2, EVR 2 and 3 (NC)

Description	Qty	Code no. Normally Closed (NC)
EVR 2. d.c. armature Pos. 16 d.c. armature assembly	1	032F0099
EVR 2 and 3. Service kit (a.c.) Pos. 14 O-ring	1	032F0181
16 Armature assembly	1	
28 Rubber gasket	1	
EVR 2 and 3. Seal kit Pos. 28 Rubber gasket	1	032F8196

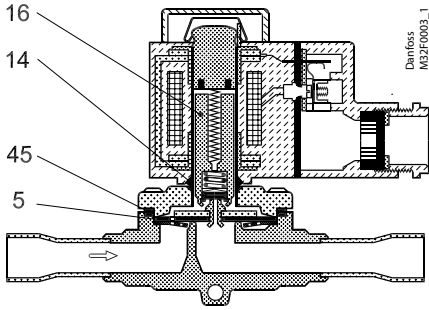


Fig.1 EVRH 6 and 10 (NC)

Description	Qty	Code no. Normally Closed (NC)
EVRH 6 and 10 Service kit (a.c.)		032G1090
Pos. 5 Diaphragm assembly	1	
14 O-ring	1	
16 Armature assembly	1	
45 Rubber gasket	1	
EVRH 6. Seal kit		032F8165
Pos. 14 O-ring	1	
45 Rubber gasket	1	
EVRH 10. Seal kit		032F8196
Pos. 14 O-ring	1	
45 Rubber gasket	1	

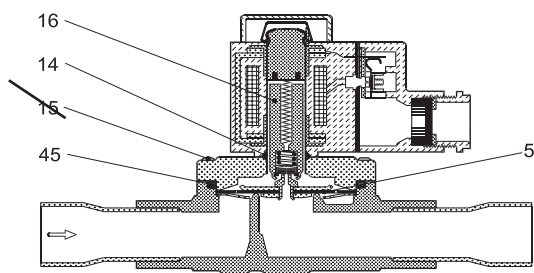


Fig.1 EVRH 15 and 20 (NC)

Description	Qty	Code no. Normally Closed (NC)
EVRH 15 and 20 Service kit (a.c.)		
Pos. 5 Diaphragm assembly	1	032G1090
14 O-ring	1	
16 Armature assembly	1	
45 Rubber gasket	1	
EVRH 15. d.c. armature		
Pos. 16 d.c. armature assembly	1	032F0099
EVRH 20 . d.c. armature		
Pos. 16 d.c. armature assembly	1	032F0099