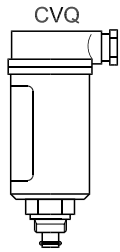


027R9626

027R9626



Max. 50°C (120°F)
 Min. -30°C (-22°F)
 IP55
 PS/MWP 17bar/
 MWP 250psig

Danfoss
27B192.13

Fig. 1

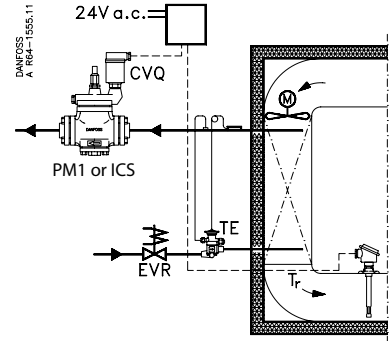
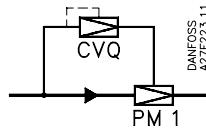
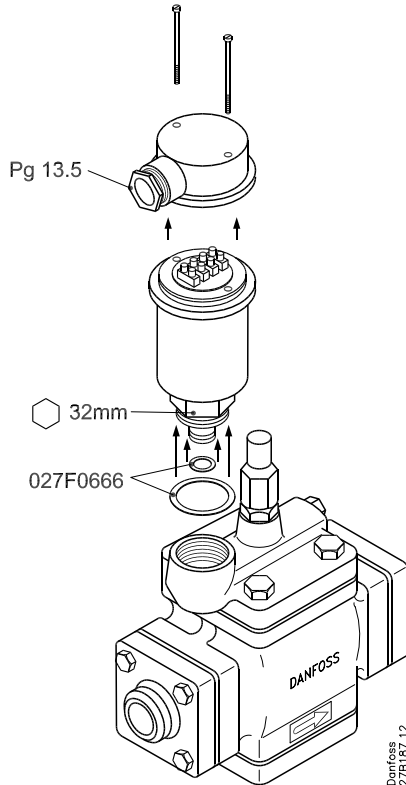
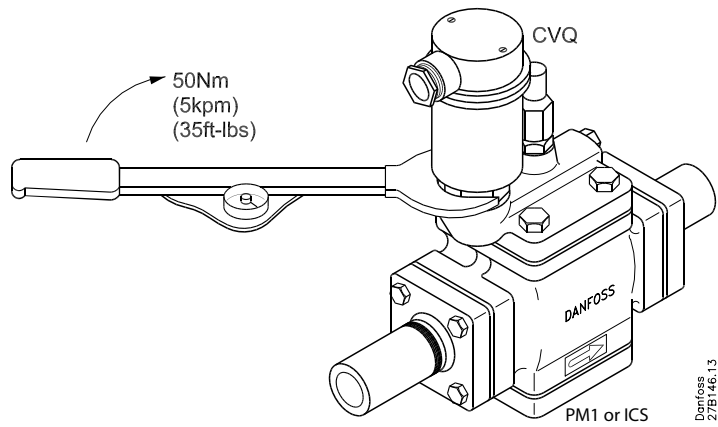


Fig. 2



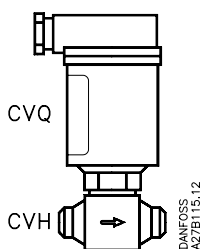
Danfoss
27B167.12

Fig. 3



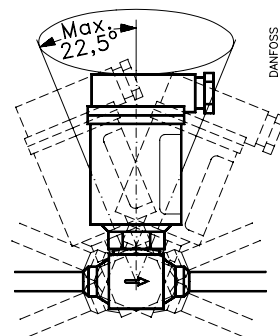
Danfoss
27B146.13

Fig. 4



DANFOSS
A27B113.12

Fig. 5



DANFOSS
A27B151.12

Fig. 6

Danfoss can accept no responsibility for possible errors in catalogues, brochures and other printed material. Danfoss reserves the right to alter its products without notice. This also applies to products already on order provided that such alterations can be made without subsequential changes being necessary in specifications already agreed.
All trademarks in this material are property of the respective companies. Danfoss and the Danfoss logotype are trademarks of Danfoss A/S. All rights reserved.