

## Spare parts and accessories

### Pressure control

### Type KP

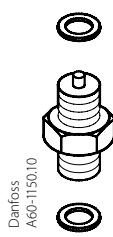

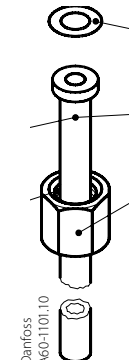

Description	Qty.	Code no.
<p>Danfoss 60-1059      Danfoss 60-1060</p>	<b>Front cover for single control</b>	1    060-008666
	<b>Front cover for dual control</b>	1    060-011366
<p>Danfoss 60-8021</p> <p>Danfoss 60-8022</p>	<b>Top cover for single control</b>	<b>060-109766</b>
	Top plate	1
	Screw	2
	<b>Top cover for dual control</b>	<b>060-109866</b>
Top plate	1	
Screw	2	
<p>Danfoss 60-888      Danfoss A60-889.11</p>	<b>Protective cap for single control</b>	1    060-003166
	<b>Protective cap for dual control</b>	1    060-003266
<p>Danfoss 60-1301.10</p>	<b>IP55 Enclosure for single control</b>	1    060-033066
<p>Danfoss 60-1302.10</p>	<b>IP55 Enclosure for dual control</b>	1    060-035066
<p>Danfoss 60-9002      Danfoss 60-1064</p>	<b>Wall bracket</b>	<b>060-105566</b>
	Bracket	1
	Screw, M4 x 6	4
Washer	4	

Description	Qty.	Code no.
<p>Danfoss 60-1064</p> <p>Danfoss 60-9045</p>	<b>Angle bracket</b>	<b>060-105666</b>
	Bracket	1
	Screw, M4 x 6	4
Washer	4	
<p>Danfoss 60-890</p>	<b>Locking plate with screw</b>	<b>060-018966</b>
	Plate (1)	1
	Screw (2)	1
<p>Danfoss A60-236.13</p>	<b>Seal screw for locking plate</b>	2    060-105766
<p>Danfoss 60-1065</p>	<b>Screwed cable entry, Pg 13.5</b>	<b>060-105966</b>
	Cable entry	1
	Nut	1

Description		Code no. Multi pack	Code no. Industrial pack
<b>Capillary tube, copper</b> ¼ in. or 6 mm flare nut   Danfoss 60-9003	21 mm tube "tail"		
	0.5 m	—	060-019066 <sup>1)</sup>
	1.0 m	060-004866	060-019166 <sup>1)</sup>
	1.5 m	—	060-019266 <sup>1)</sup>
	2.0 m	060-016366	060-019366 <sup>1)</sup>
	50 mm tube "tail"		
	0.5 m	—	060-007066 <sup>1)</sup>
	1.0 m	060-017166	060-007166 <sup>2)</sup>
	1.5 m	—	060-007266 <sup>1)</sup>
	2.25 m	060-017666	—
	with Schraeder valve opener		
	0.5 m	—	060-000466 <sup>1)</sup>
1.0 m	—	060-000566 <sup>1)</sup>	
1.5 m	060-002366	—	
<b>Capillary tube, steel</b> not for NH <sub>3</sub>   Danfoss 60-9003	¼ in. or 6 mm flare nut		
	1.0 m	060-016766	—
	1.5 m	060-016866	—
<b>Capillary tube, steel</b> for NH <sub>3</sub>   Danfoss 60-9030	M10 × 0.75		
	1.0 m	060-007866	—
	G ¾ and M10 × 0.75		
	1.0 m	060-008266	—

<sup>1)</sup> 50 pcs.

<sup>2)</sup> 40 pcs.

Description	Qty.	Code no.
 Danfoss A60-1150.10	<b>Nipple</b> M10 × 0.75 / G ¼ A <b>060-010466</b>	
	Nipple	1
	Alu gasket	2
 Danfoss A60-1102.10	1	<b>060B121066</b>
 Danfoss A60-1101.10	<b>Weld nipple</b> M10 × 0.75 for NH <sub>3</sub> <b>060-005766</b>	
	Union	1
	Nipple, OD 6 mm × 150 mm	1
	Alu gasket	1
 Danfoss 11L9002	2	<b>060-104866</b>