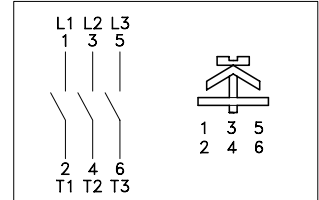
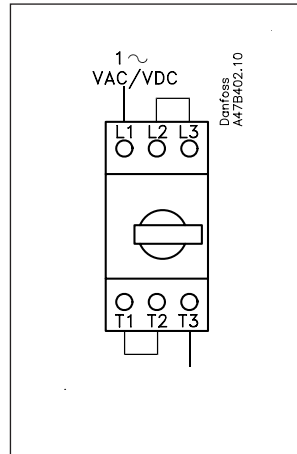
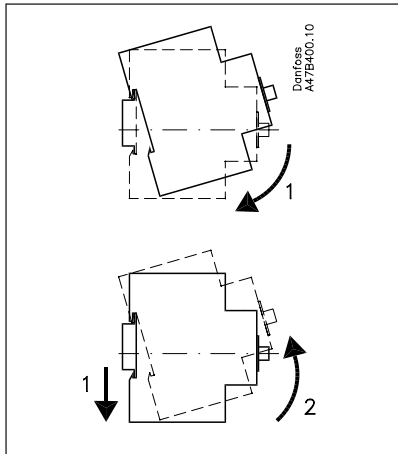


Circuit breaker Type CTI 25M-MB and CTI 45MB



1x1...4mm²
2x1...4mm²
No.16...12 AWG

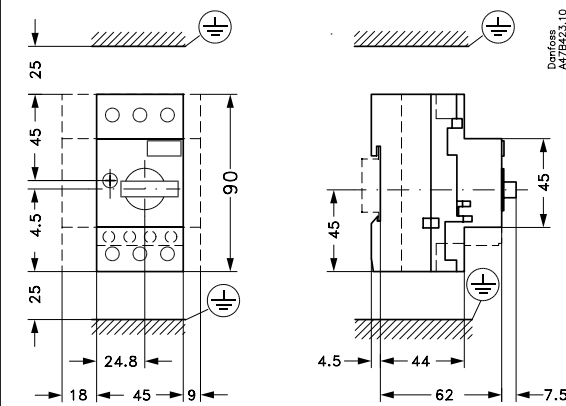
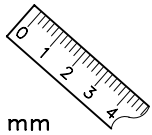
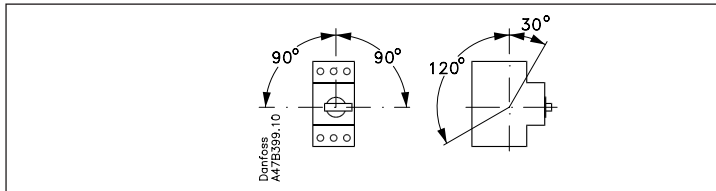
1x1...6mm²
2x1...6mm²
No.16...10 AWG

9mm →
1x1.5...4mm²
2x1.5...4mm²
No.16...10 AWG

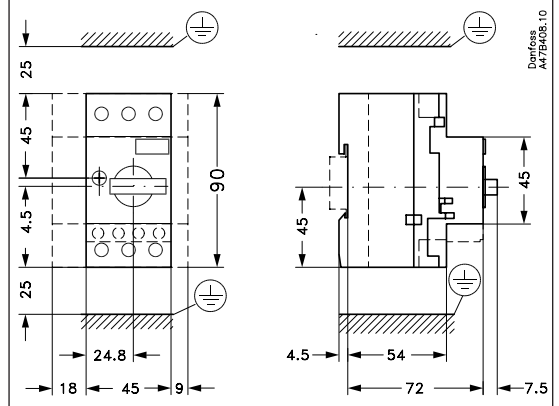
Use 75°C Cu wire only

1.0...2.5 Nm
8.9...22 lb-in

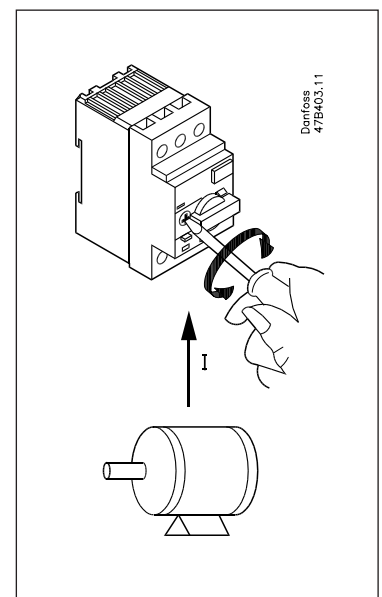
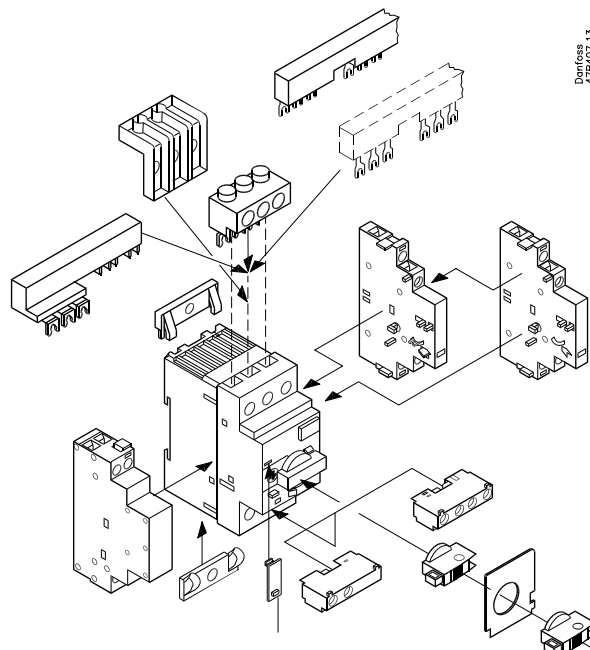
Pozidriv No.2

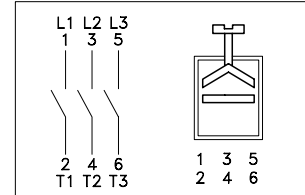
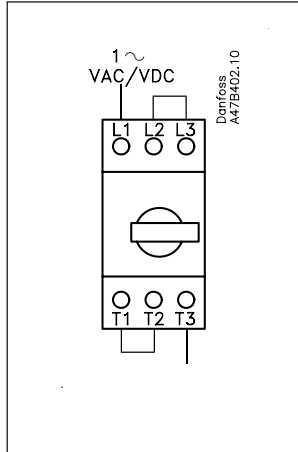
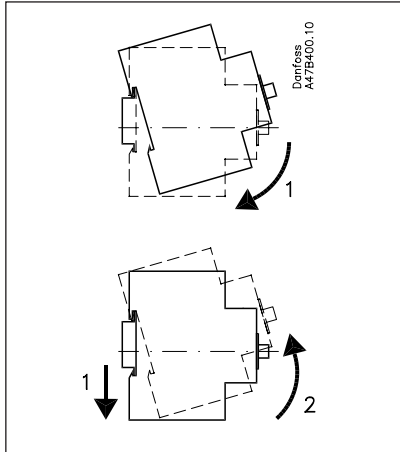


CTI 25M



CTI 25MB





DANFOSS
A47B398.10

1x2.5...16mm²
2x2.5...10mm²
No.14...8 AWG

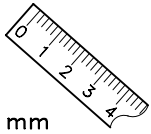
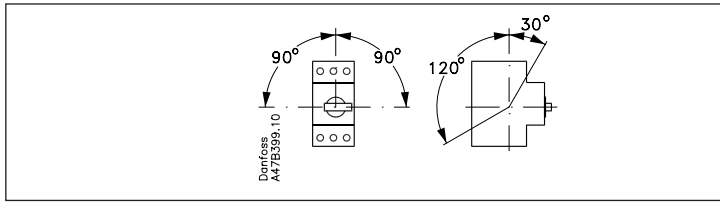
1x2.5...25mm²
2x2.5...16mm²
No.14...6 AWG

12mm →
1x2.5...25mm²
2x2.5...16mm²
No.14...6 AWG

Use 75°C Cu wire only

1.5...4 Nm
13.2...35 lb-in

No.3
Pozidriv No.2



CTI 45MB

