



INSTRUCTIONS

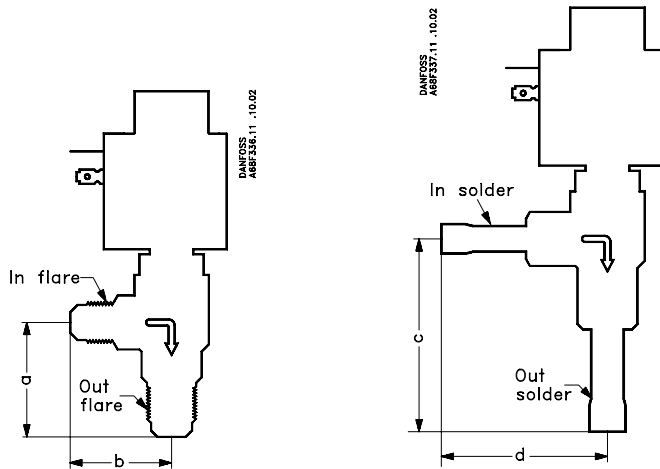
AKV 10-8N



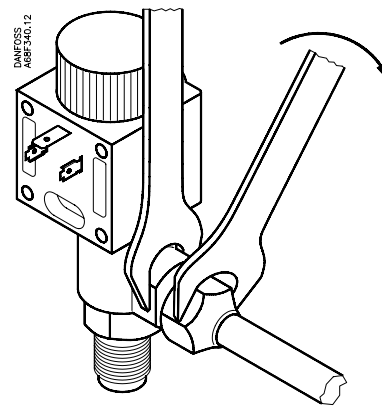
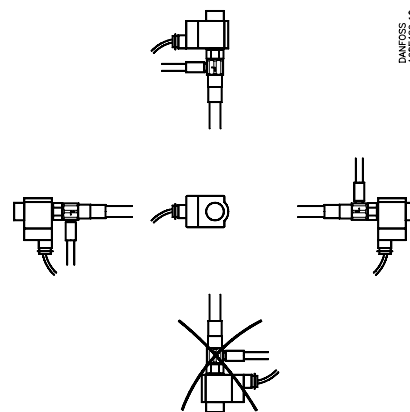
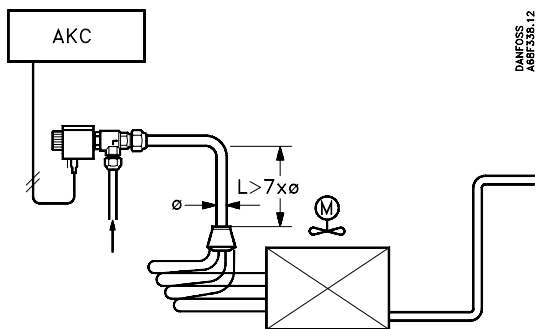
068R9534



RI1MA353



AKV 10-8N	
a	48
b	45
c	73
d	75
In flare	1/2"
Out flare	5/8"
In solder	1/2" / 12 mm
Out solder	5/8" / 16 mm



Dyse, Düse, Orifice, Orificio		R 22		R 502		R 134a	
n	Best.nr. Code no. Bestell-Nr. N° de code Núm. de código	kW	TR	kW	TR	kW	TR
8N	068F0515	25	7.1	17.4	4.9	19.5	5.5

