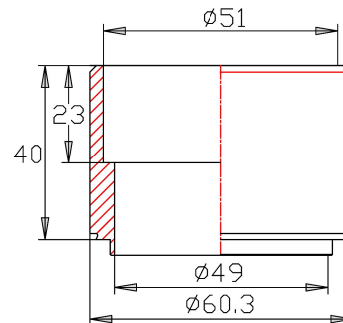
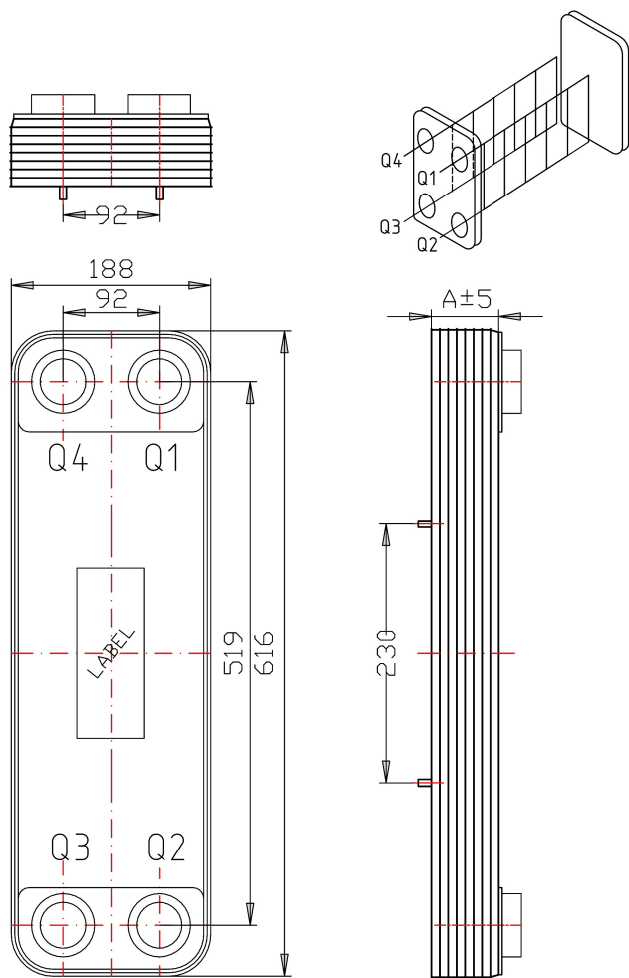




CONTROLLED

Q1-Q2-Q3-Q4
H2''(B520)
Solder
connection



Note :Weld 4-M8X23 bolts at back side

ID	RIDAN Code	Drawing No.	Model	Plates(n)	A
1	111B0186R	2308733	095B	36	112

		DESIGN DATA			
DESIGN PRESSURE		4.5MPa			
TEST PRESSURE		6.75MPa			
DESIGN TEMPERATURE		-196/+225			
LEAKAGE TEST		Helium Test			
WEIGHT		19Kg			
VOLUME		Q1Q2: 4.5L			
		Q3Q4: 4.25L			
PLATE MATERIAL		316L			
PIPE MATERIAL		304			
FRAME MATERIAL		304			
A assembly drawing	DEPARTMENT	Sales Department	DATE	SCALE	 DESIGNATION RD-095B-36-4,5-H-Q1Q2Q3Q4(H2'')/4-M8*23
	DESIGNER	JLN			
	INSPECTOR	ZJF			
	APPROVAL	FL			