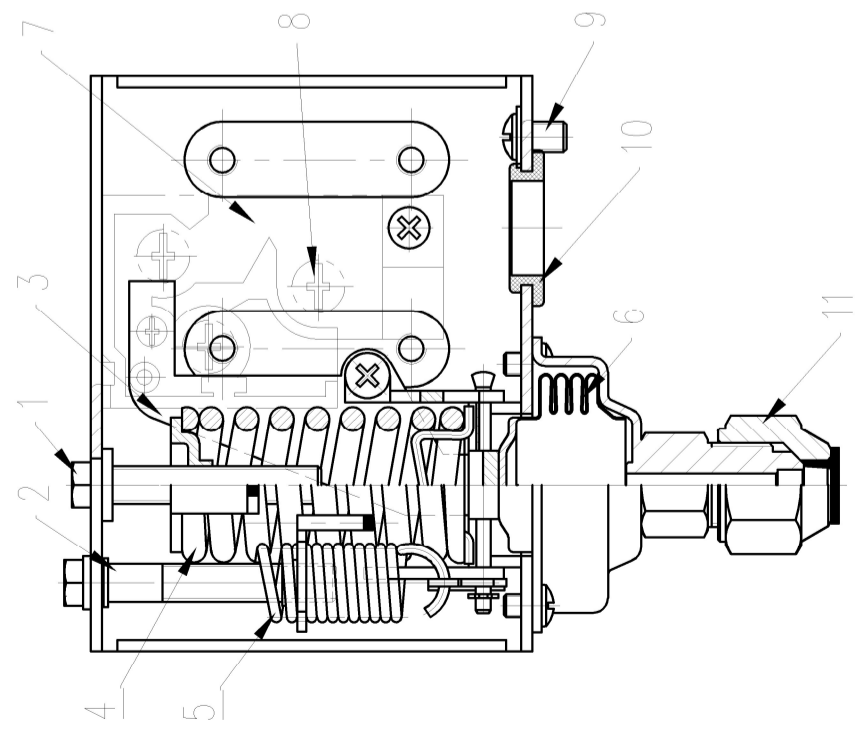


- Technical requirement:
1. Remarks : Low pressure switch
 2. Switch action: SPDT
 3. Range : -0.5~6bar
 4. Differential : 0.6~4bar
 5. Max working pressure : 16.5bar
 6. Pressure connection: 1/4Flare
 7. Factory set range to 3bar,differential to 1bar °

SPDT	CONTACT LOAD
	125V AC 250V AC
FLA	16A 8A
LRA	96A 48A
RESISTIVE LOAD	16A 8A
PILOT DUTY	3A 3A

1. Pressure setting spindle
2. Differential setting spindle
3. Main arm
4. Main spring
5. Differential spring
6. Bellows
7. Contact system
8. Terminal
9. Ground terminal
10. Cable entry
11. Brass nuts



Pressure switch	060-110166R			
	1	1	1	1
Design	No.	DATE	2014/7/03	
			РИДАН	