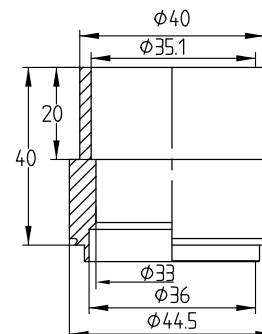
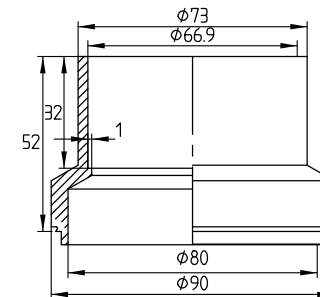


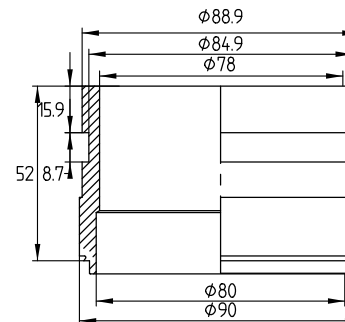
Q3-Q5
H1"3/8(H4138)
Welded Connection



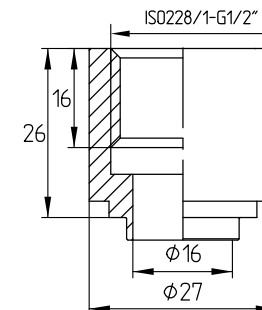
Q4-Q6
H2"5/8(L825)
Welded Connection



H1-H2
H3"1/8(LJ830)
Victaulic Connection



Q1-Q2
N1/2(N104)
Thread Connection



		DESIGN DATA	
DESIGN PRESSURE		4.5MPa	
TEST PRESSURE		6.75MPa	
DESIGN TEMPERATURE		-196/+225	
LEAKAGE TEST		Helium Test	
PLATE MATERIAL		316L	
PIPE MATERIAL		304	
FRAME MATERIAL		304	

ID	RIDAN Code	Drawing No.	Model	Plates(n)	A	WEIGHT	VOLUME
1	021H8385R	2305522-01	210	170	452	135.4Kg	H1H2:4.2.5L/Q3Q6:21L/Q4Q5:21L
2	021H8393R	2305522-02	210	150	400	121Kg	H1H2:37.5L/Q3Q6:18.5L/Q4Q5:18.5L
3	021H8396R	2305522-03	210	138	368	112.36Kg	H1H2:34.5L/Q3Q6:17L/Q4Q5:17L

Assembly drawing	DEPARTMENT	Sales	DATE	2022/05/06	SCALE			
	DESIGNER	JLN	2022/05/06					
	INSPECTOR	ZJF	2022/05/06					
	APPROVAL	FL	2022/05/06					
DRAWING NO.							2305522	REV 0

RD-210-n-4.5-HDQ-Q1Q2(N1/2)
/Q3Q5(H1"3/8)/Q4Q6(H2"5/8)/
H1H2(H3"1/8)/12-M10*25